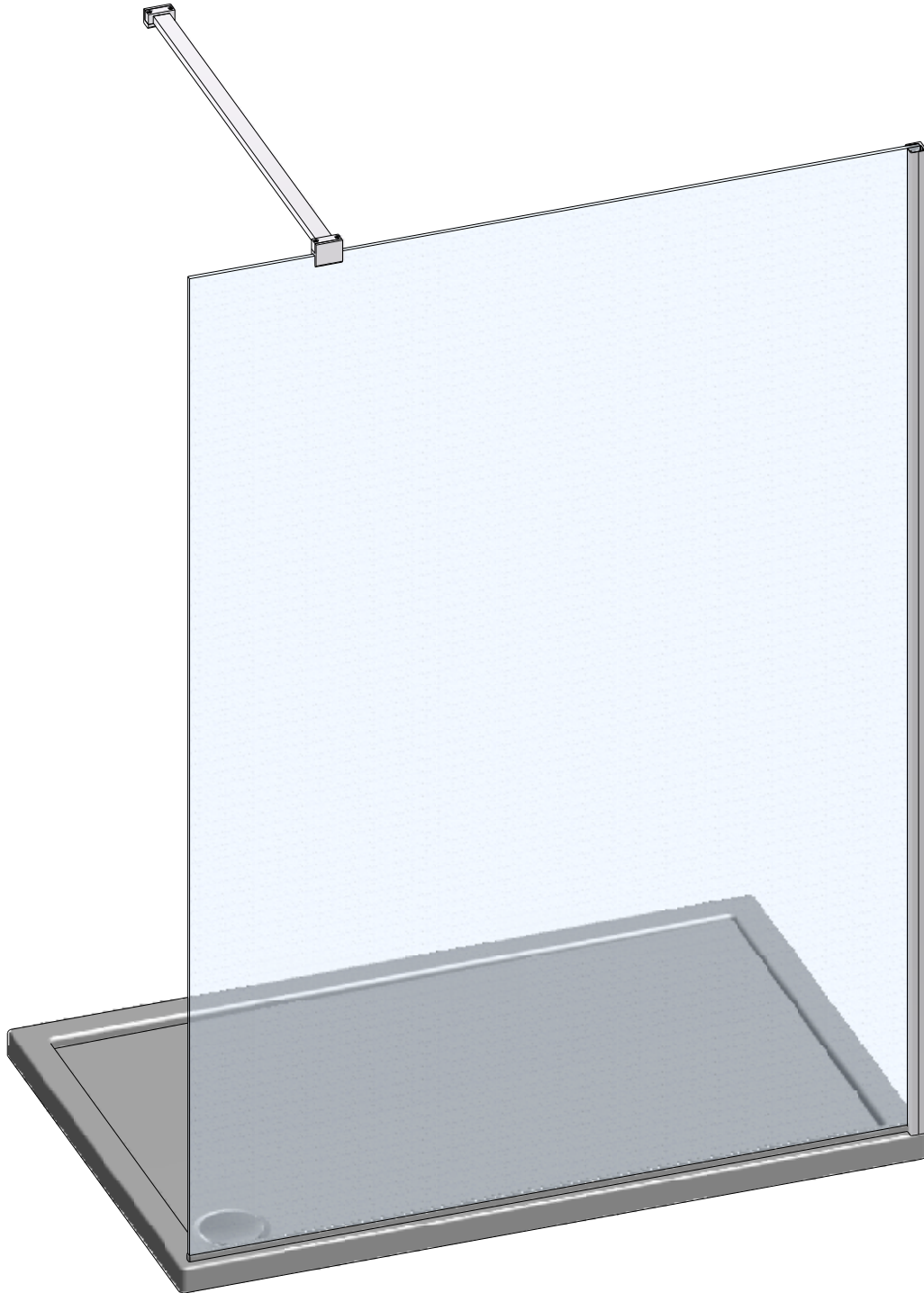
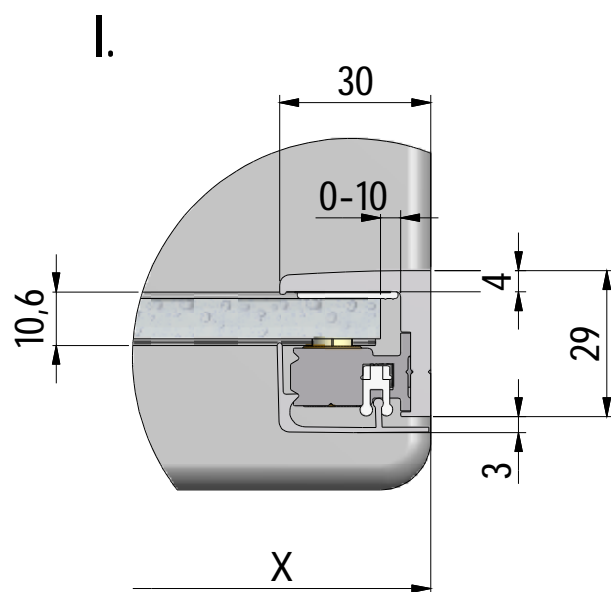
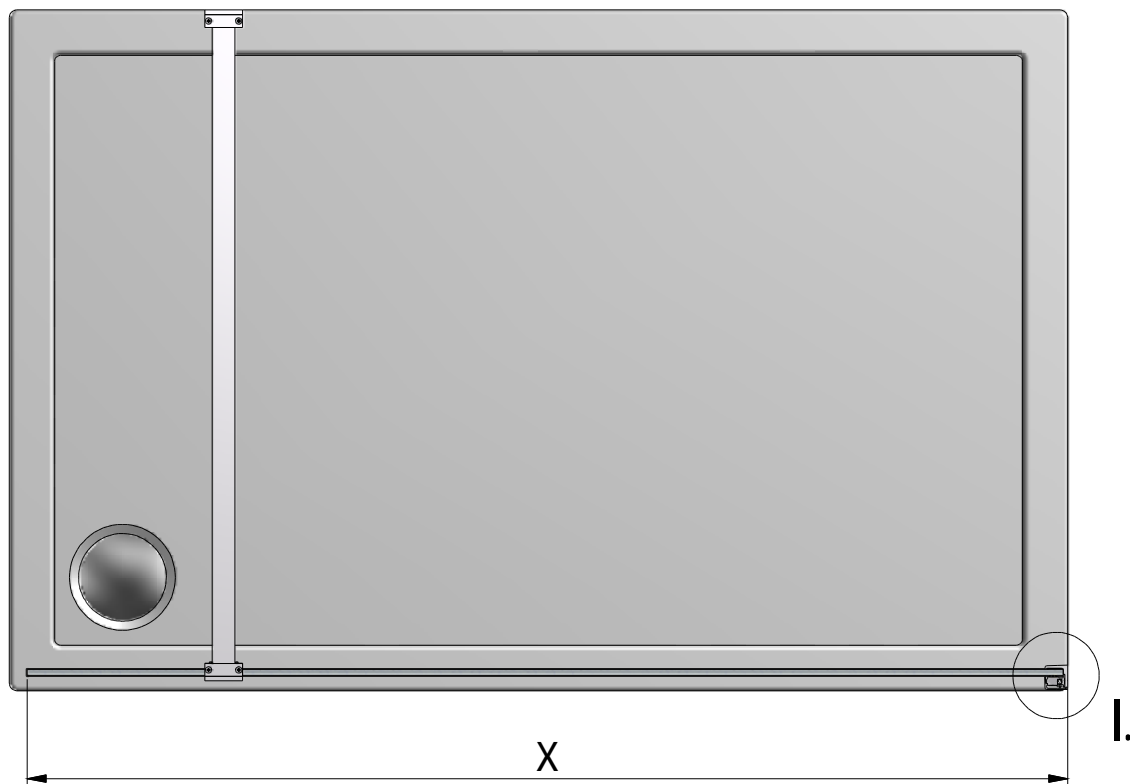
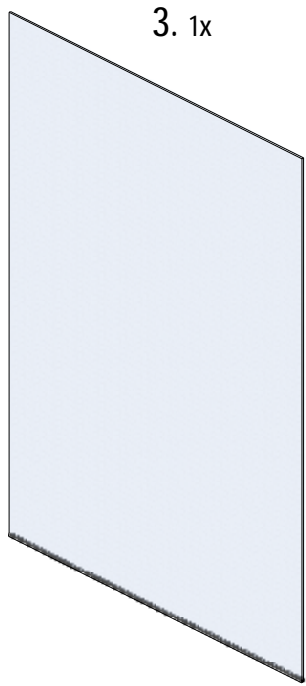


# WALK G





WALK G	X	
	MIN	MAX
900	876	886
1000	976	986
1200	1176	1186
1400	1376	1386
1500	1476	1486

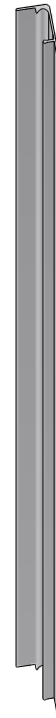


3. 1x

4. 1x



5. 1x  
P2665



7. 6x  
M0511



8. 6x  
M0811



9. 4x  
M5974



10. 4x  
M5975



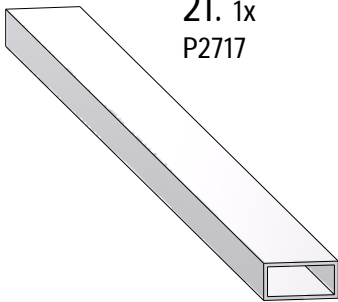
11. 4x  
M8924



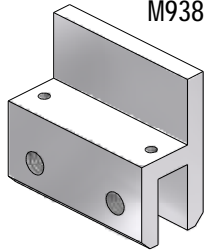
14. 2x  
M9097



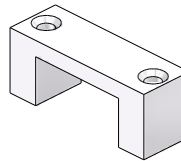
21. 1x  
P2717



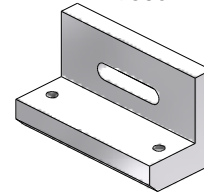
22. 1x  
M9383



23. 2x  
M9384



24. 1x  
M9385



32. 2x  
MA0618



26. 4x  
M9292



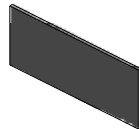
27. 2x  
M5134



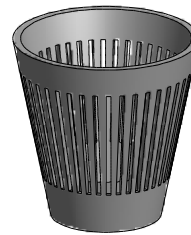
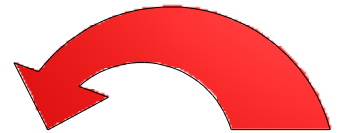
33. 2x  
MA1343



25. 1x  
M9468



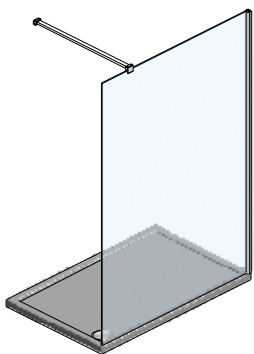
31. 2x  
MA0171



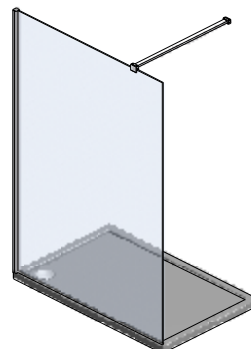
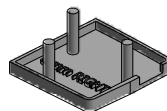
13. 1x  
M9099



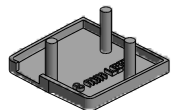
12. 1x  
M9098



28. 1x  
M8938

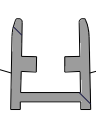
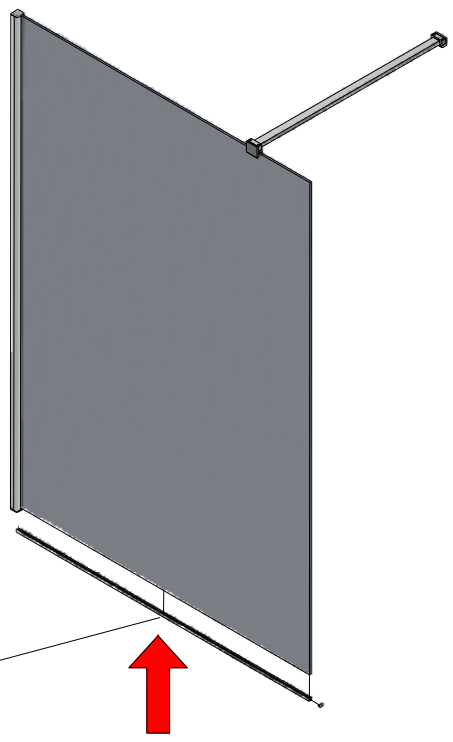
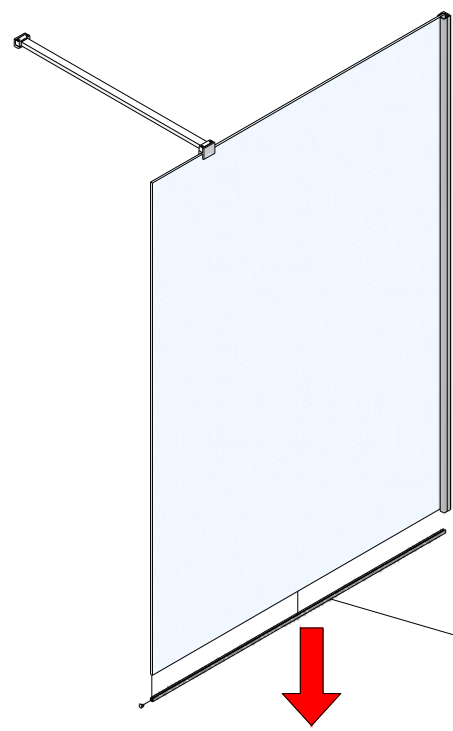
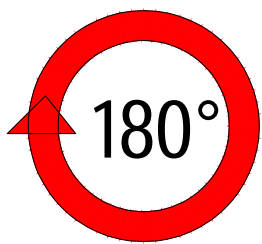
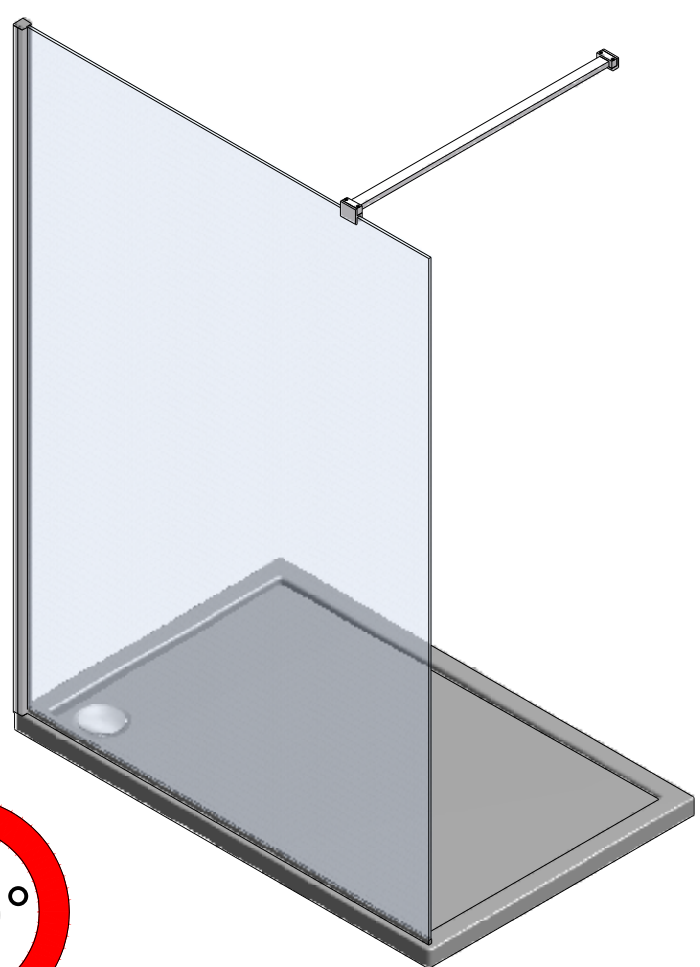
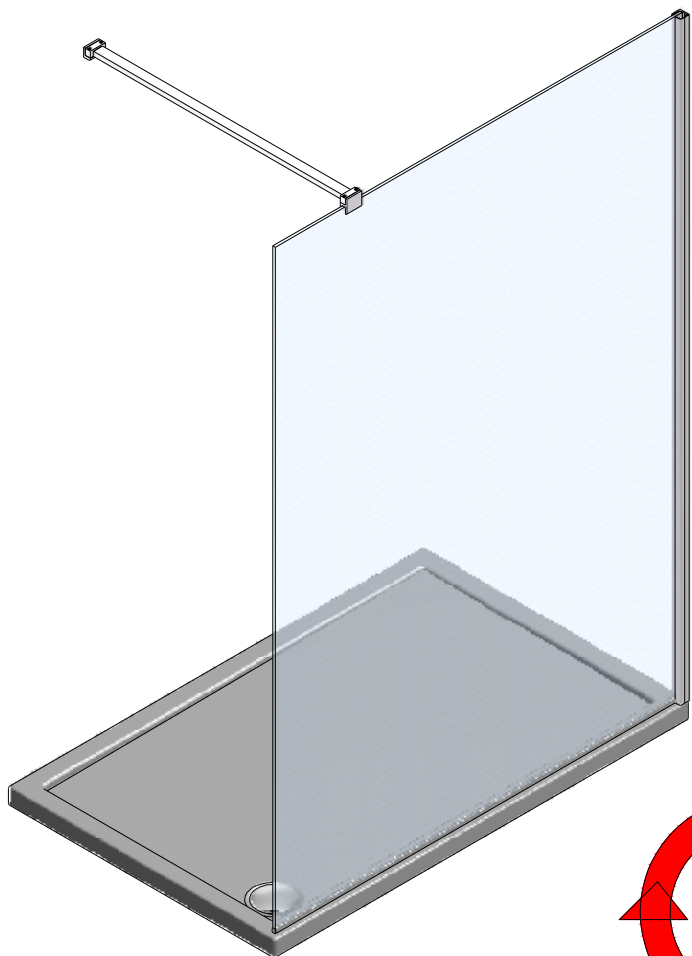
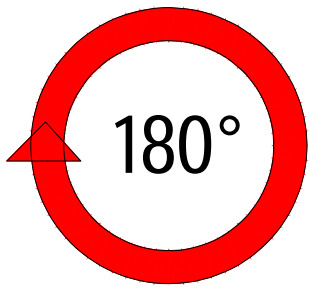


29. 1x  
M8937

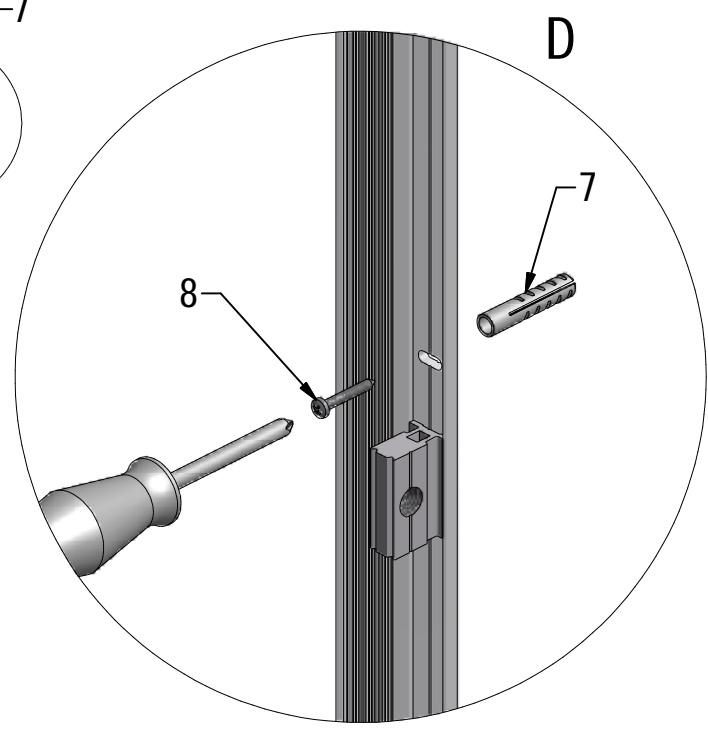
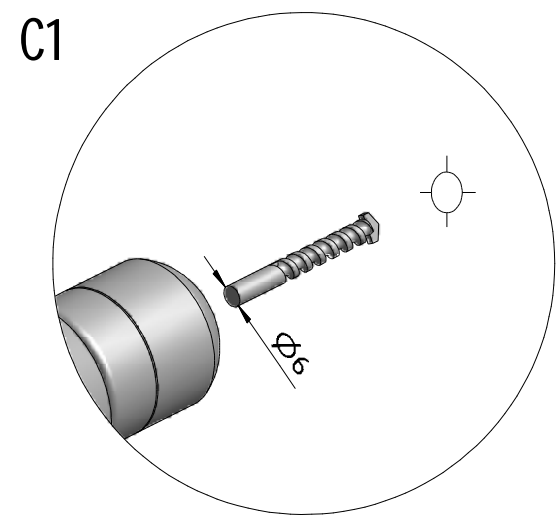
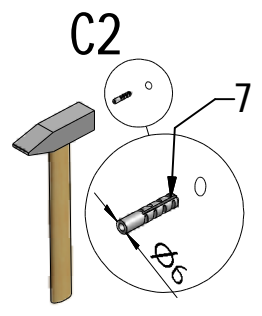
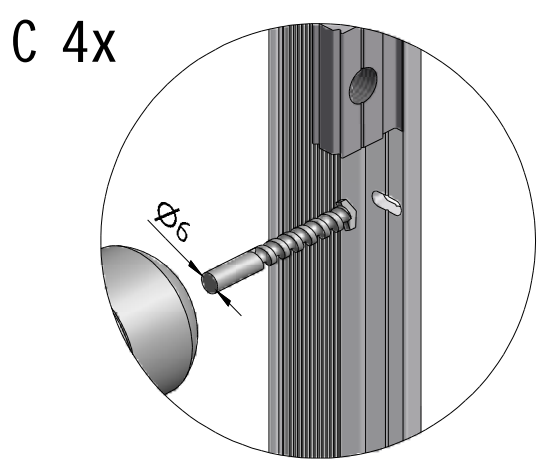
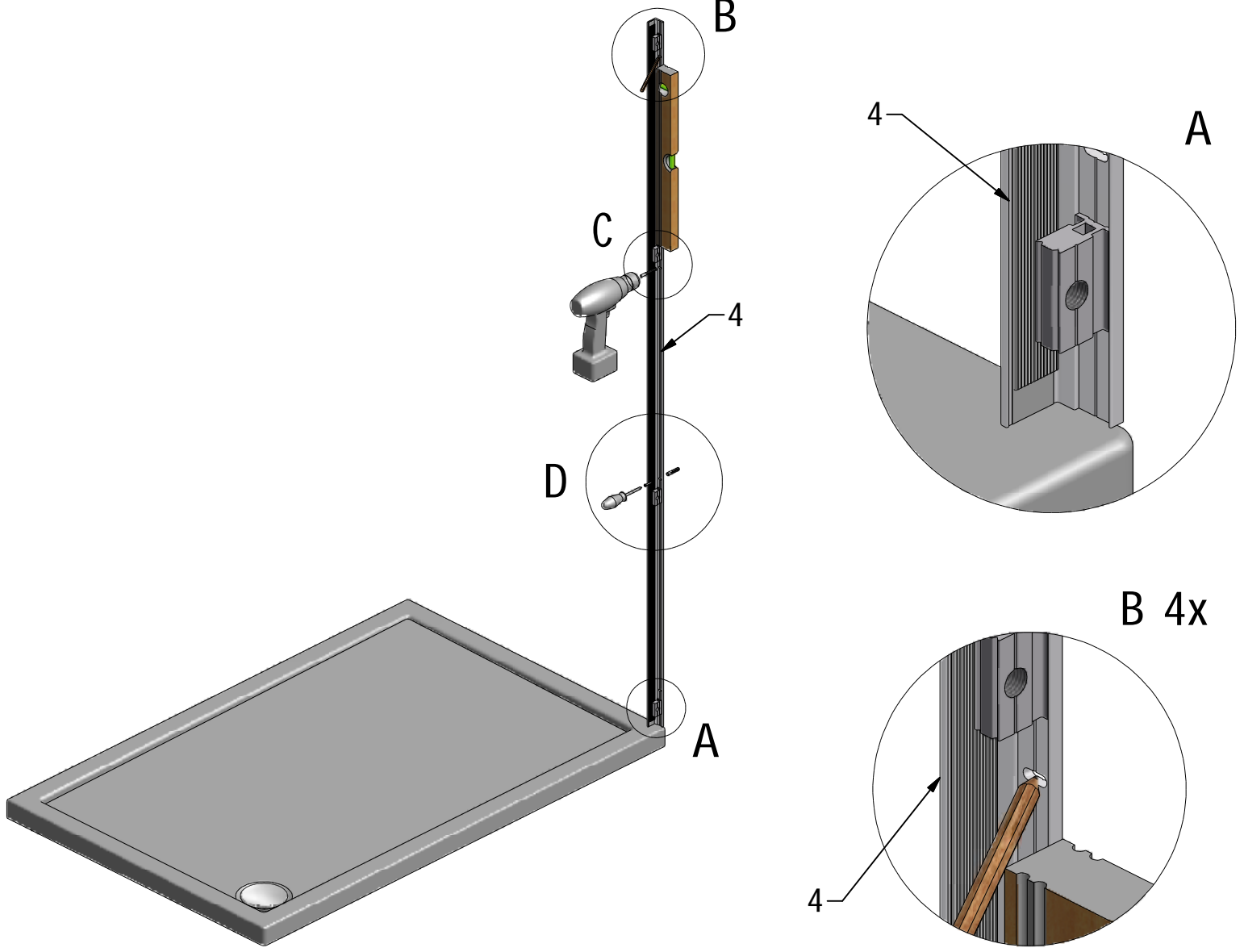


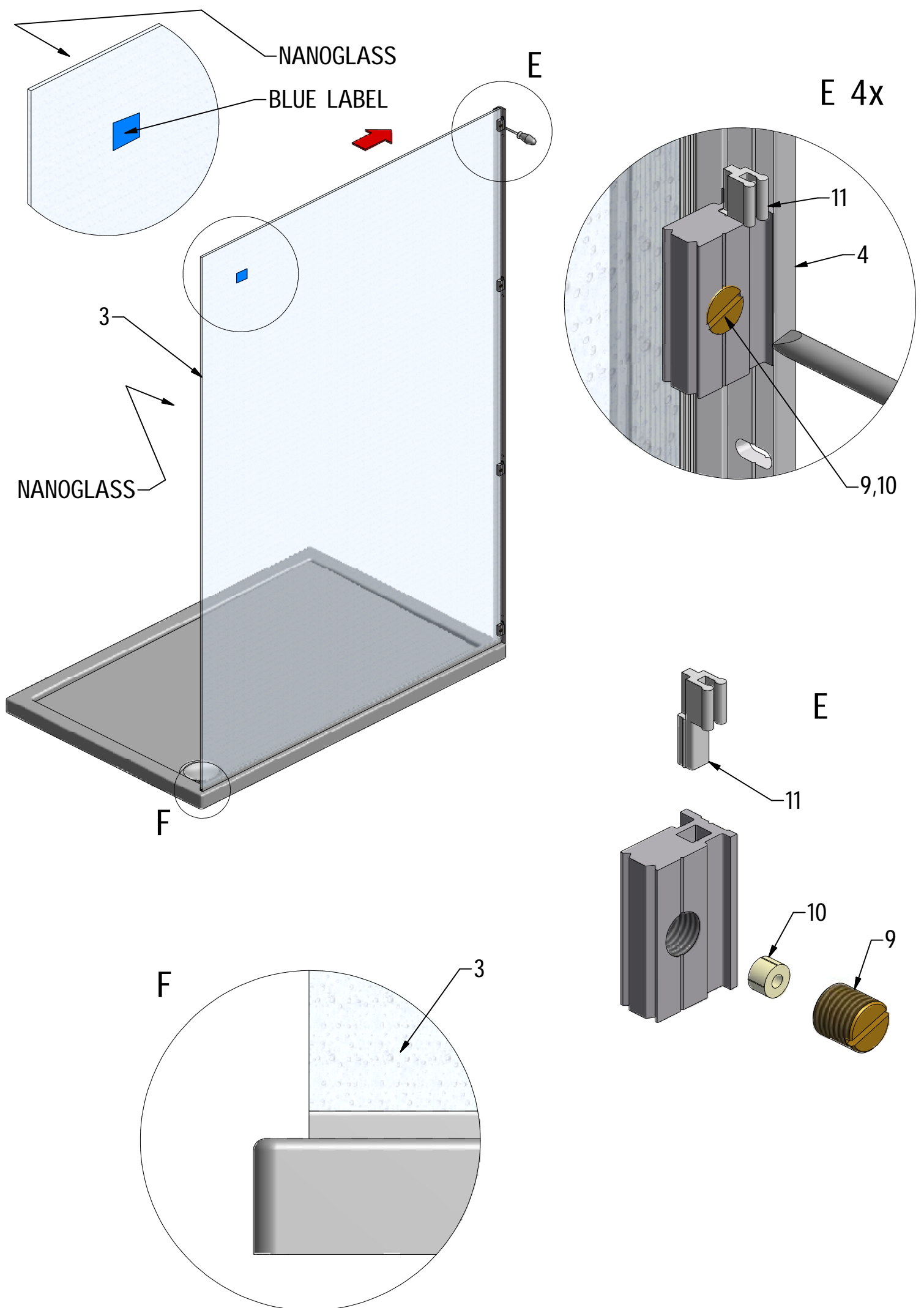
Left version

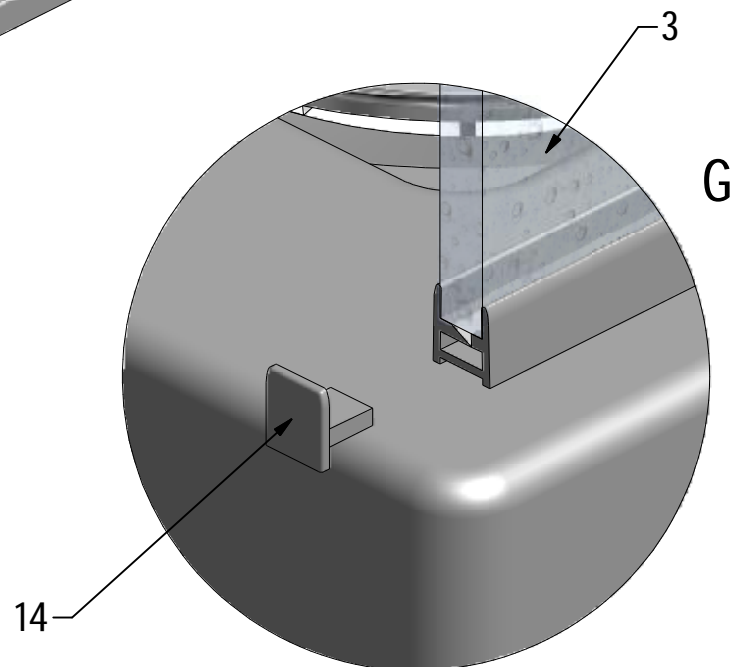
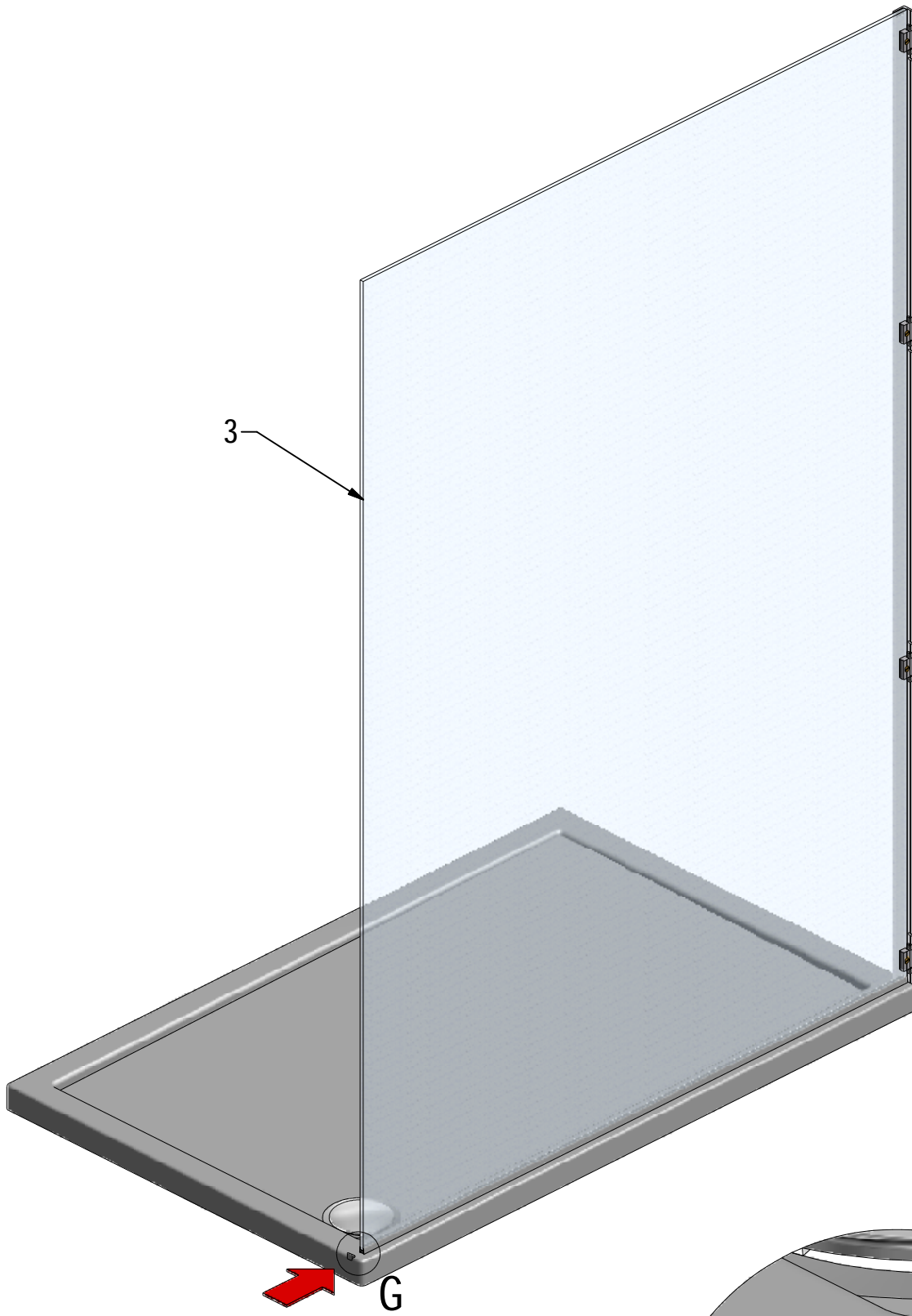
Right version

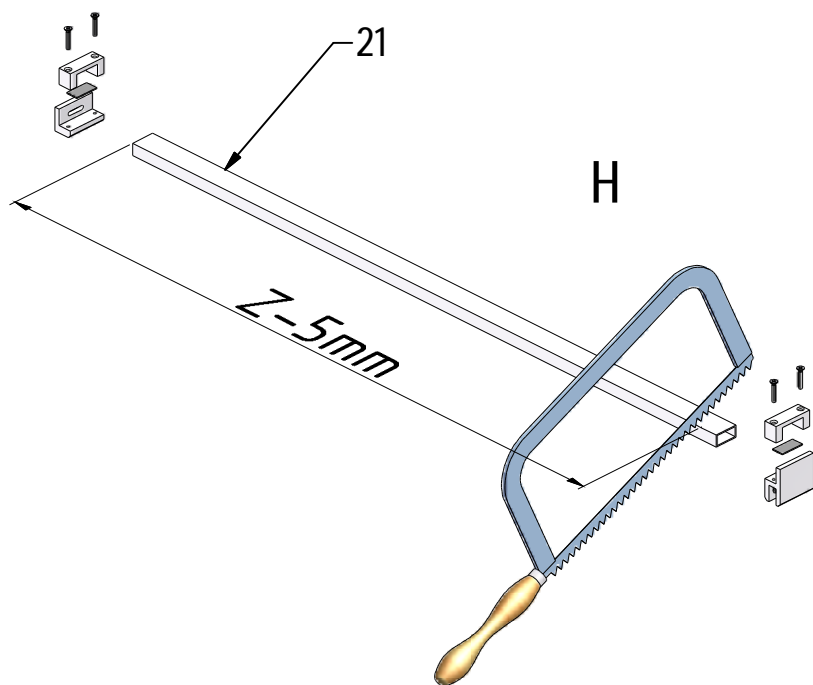
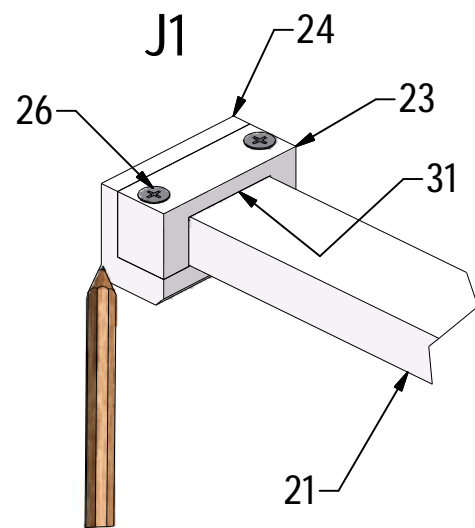
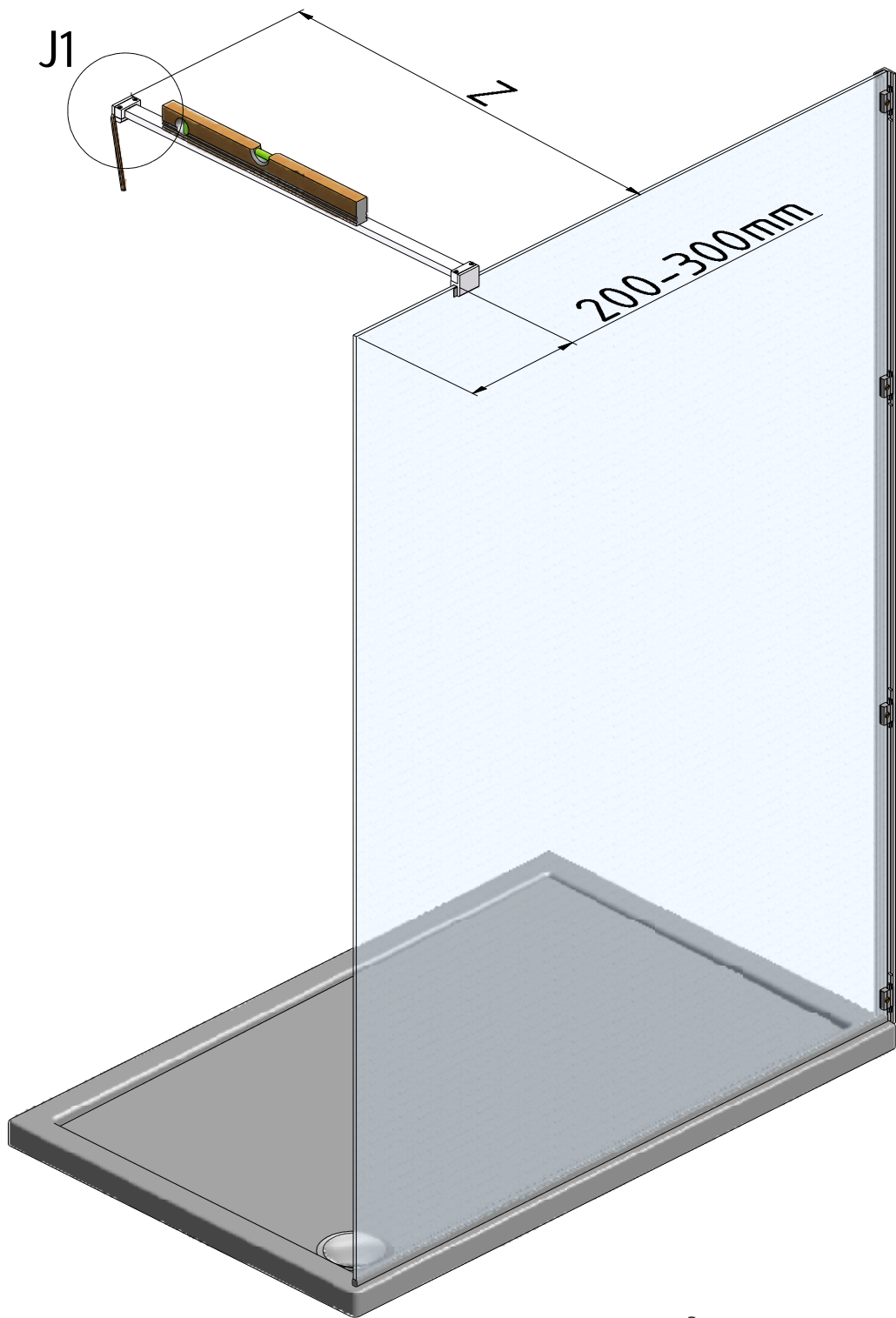




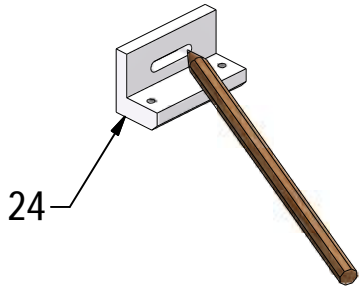




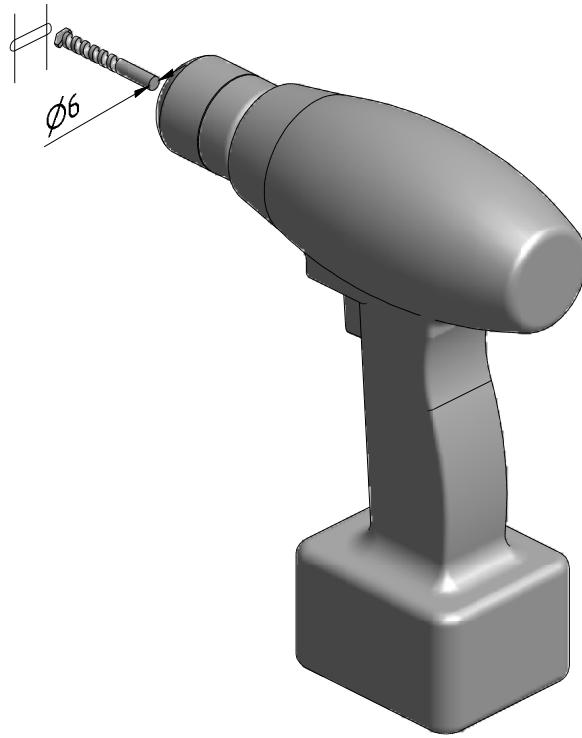




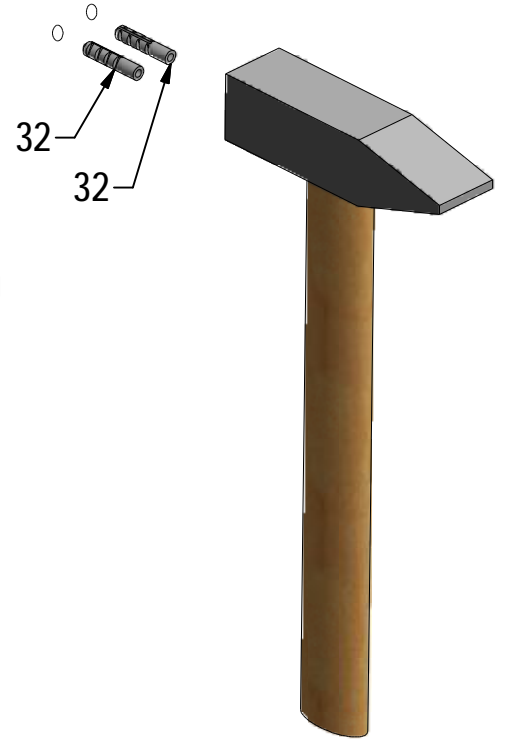
J2



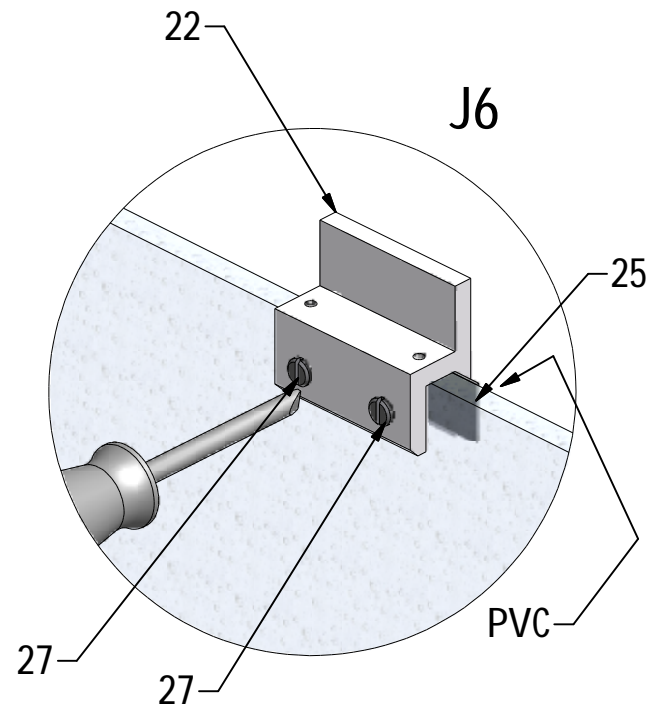
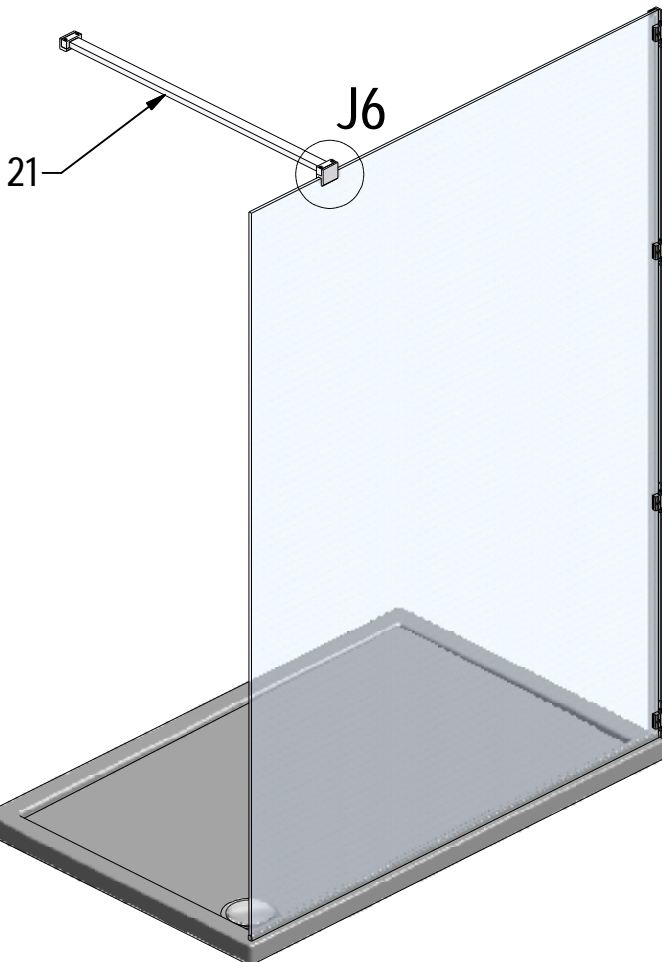
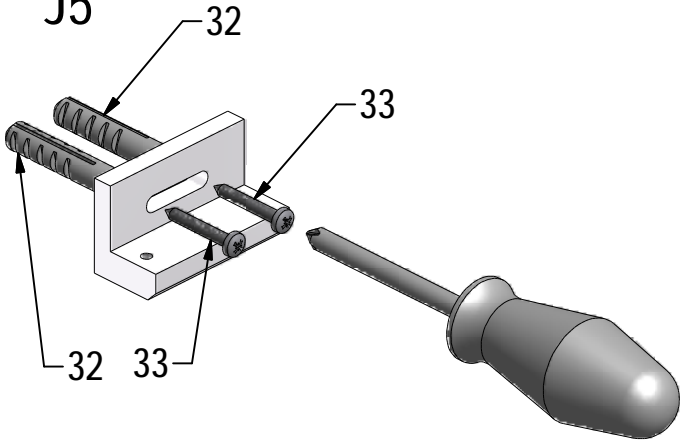
J3



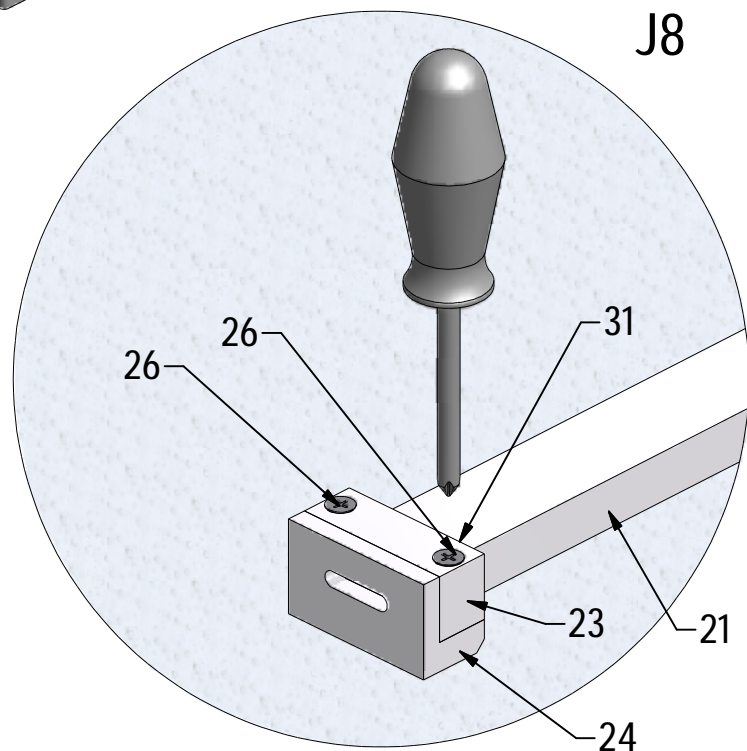
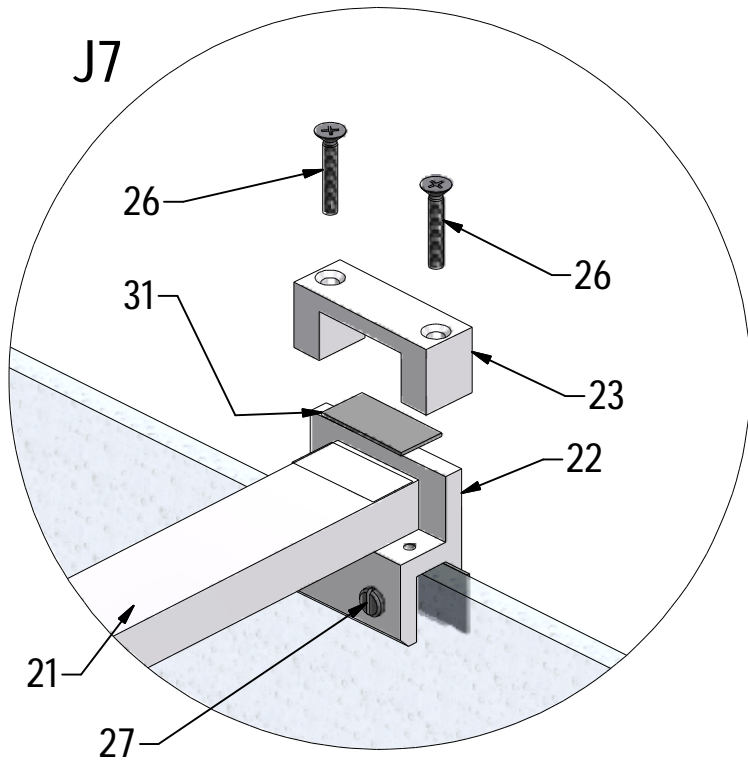
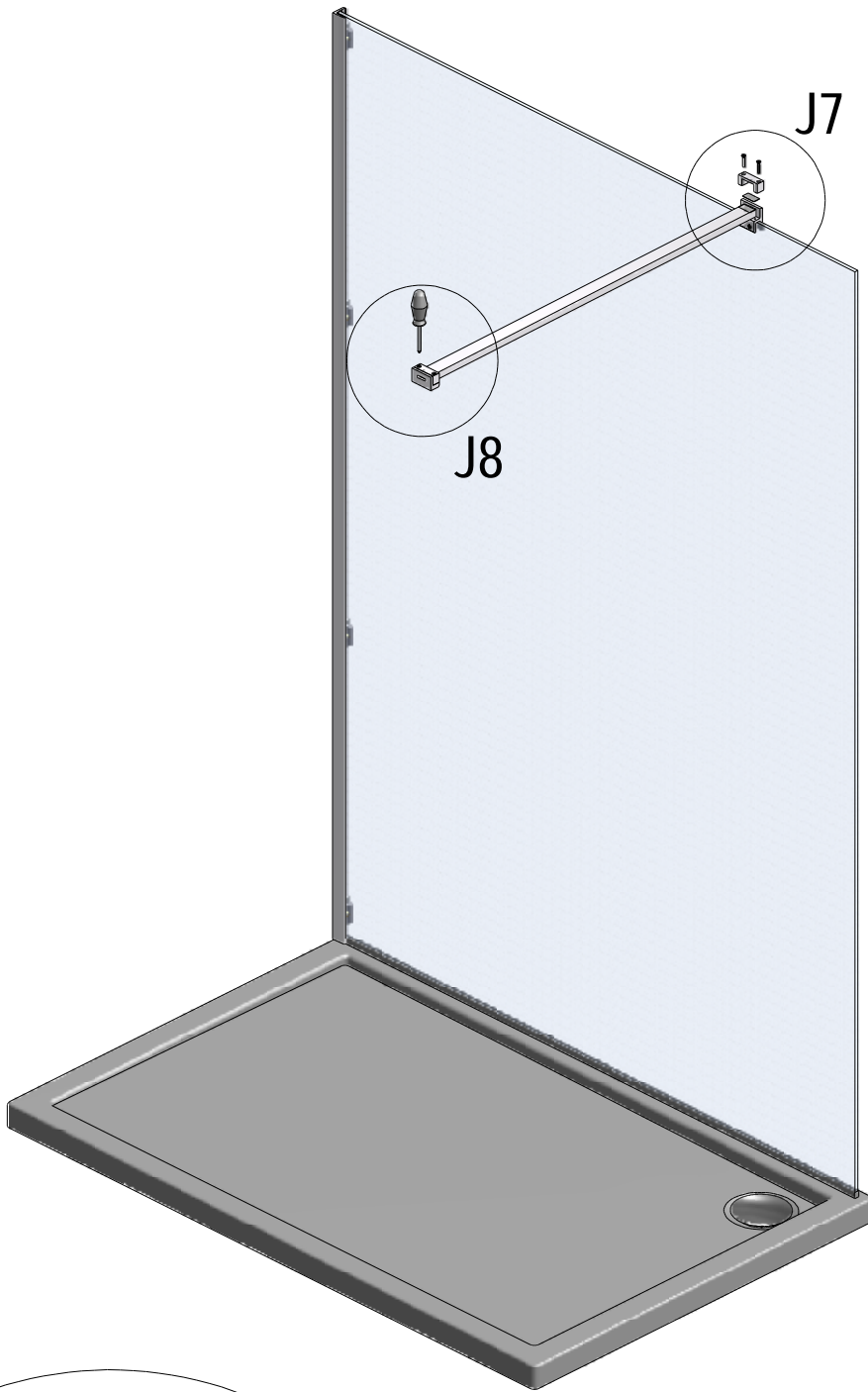
J4

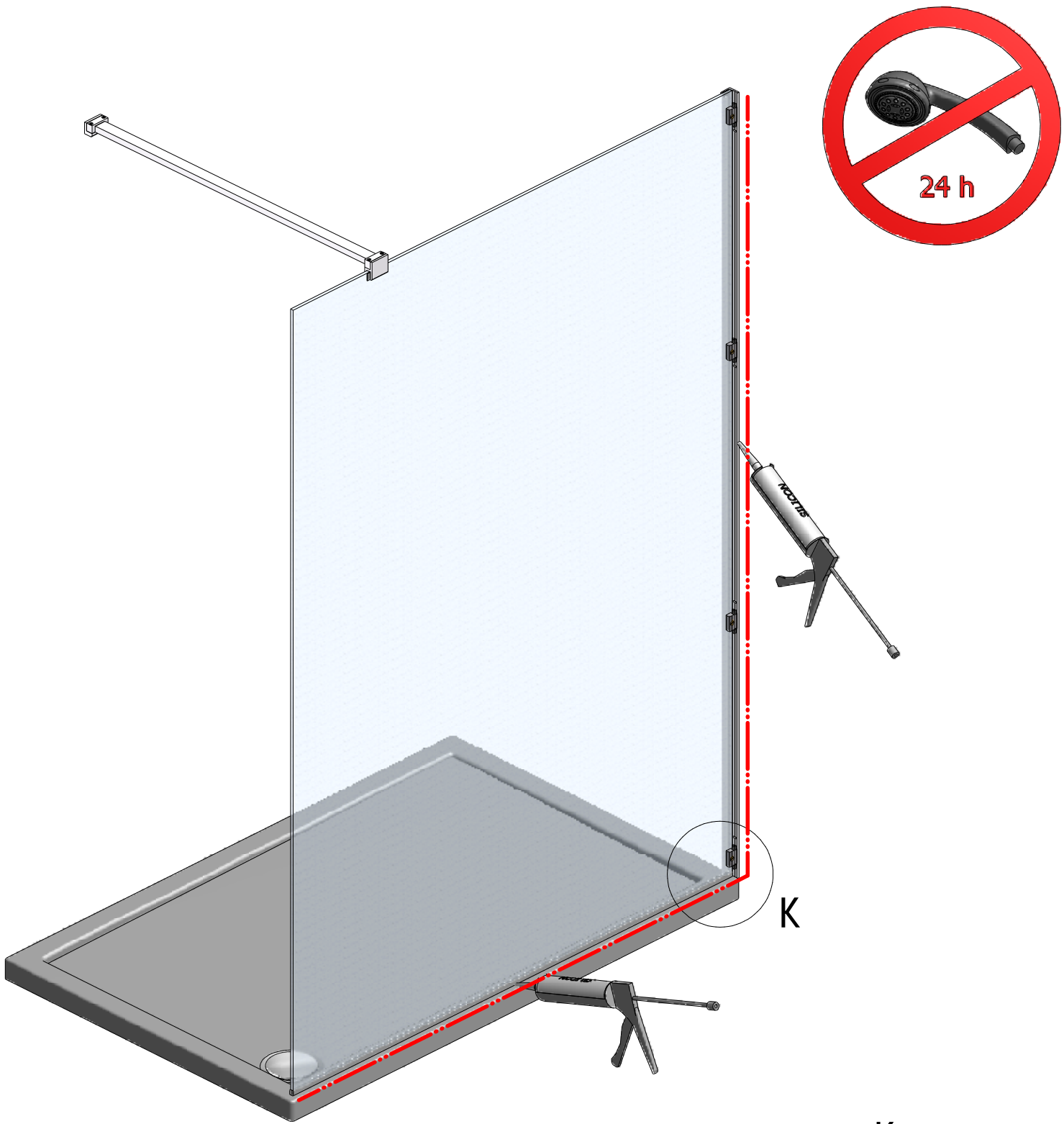


J5

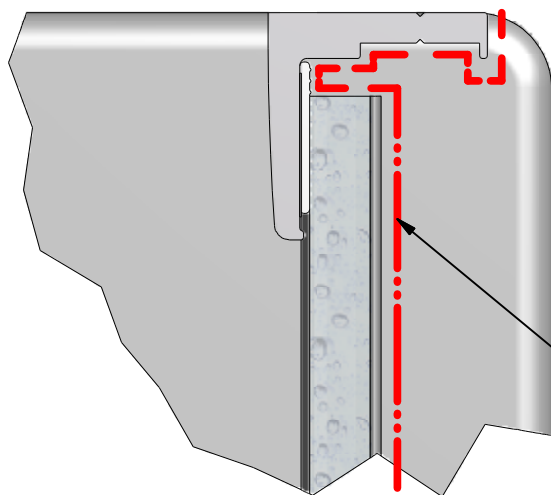




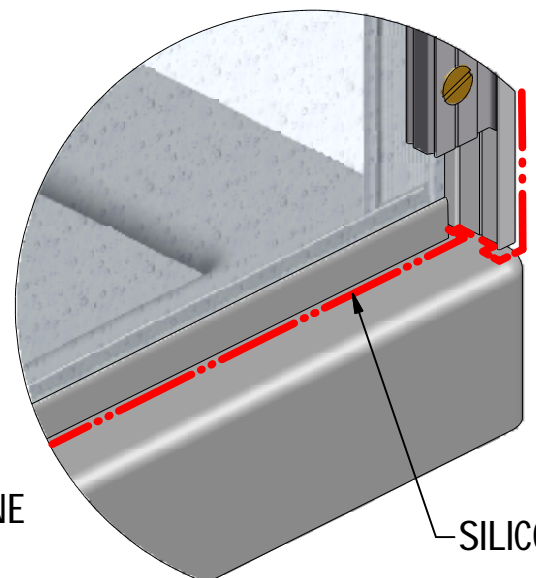




K



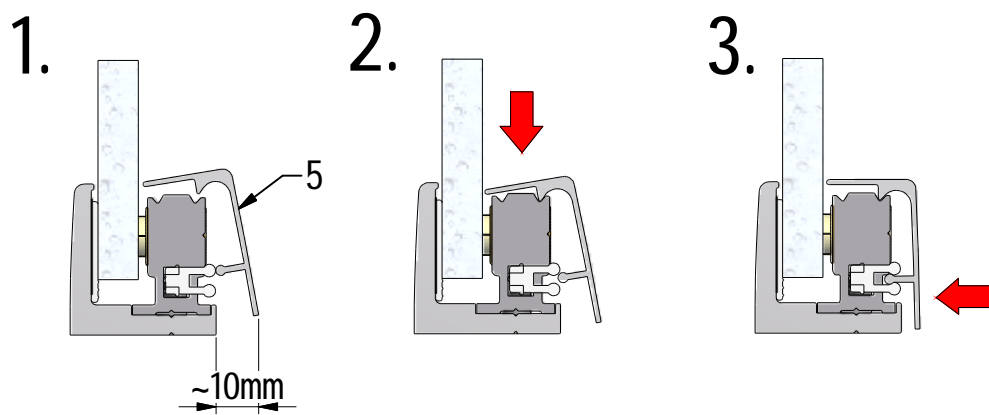
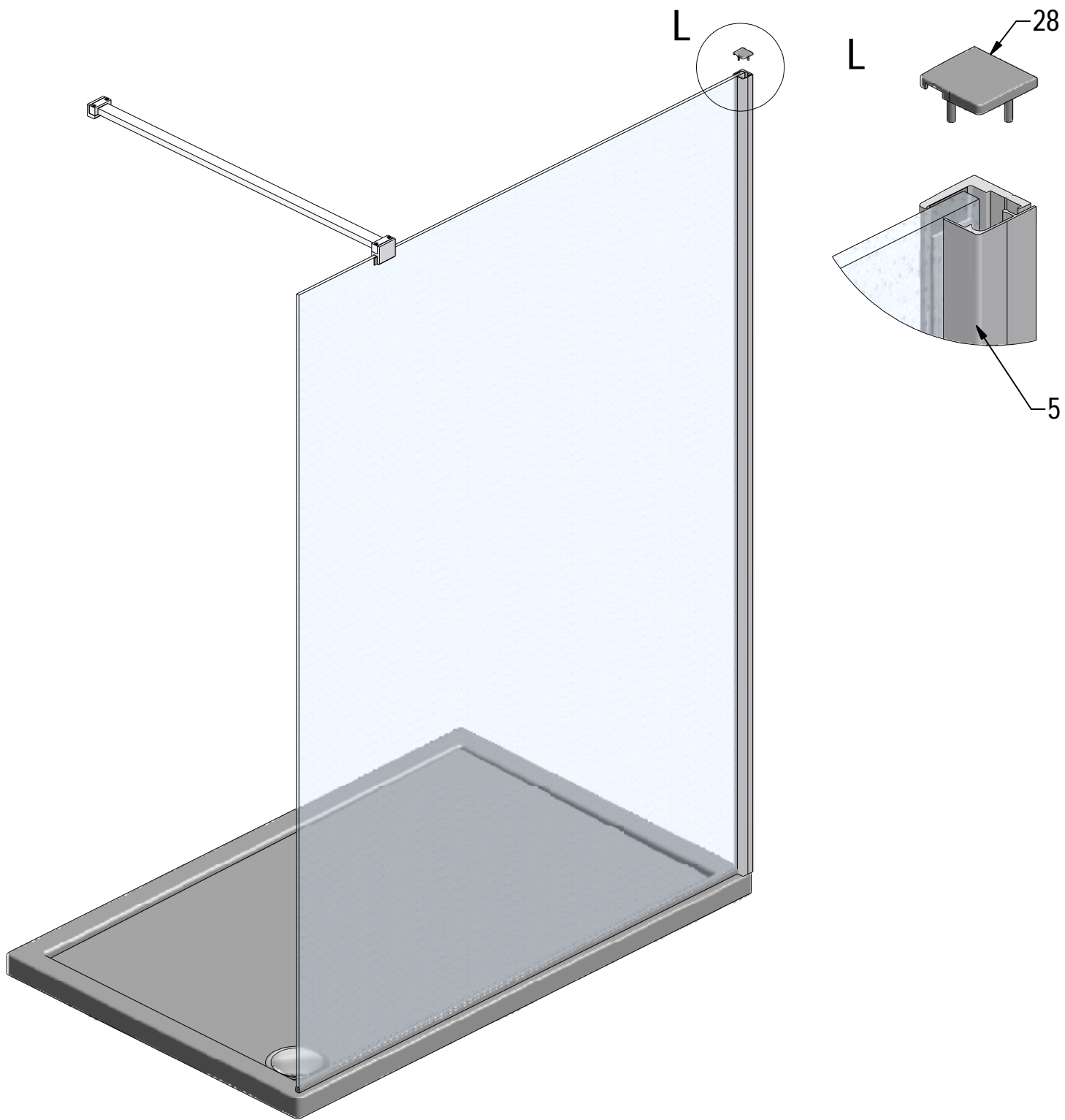
K

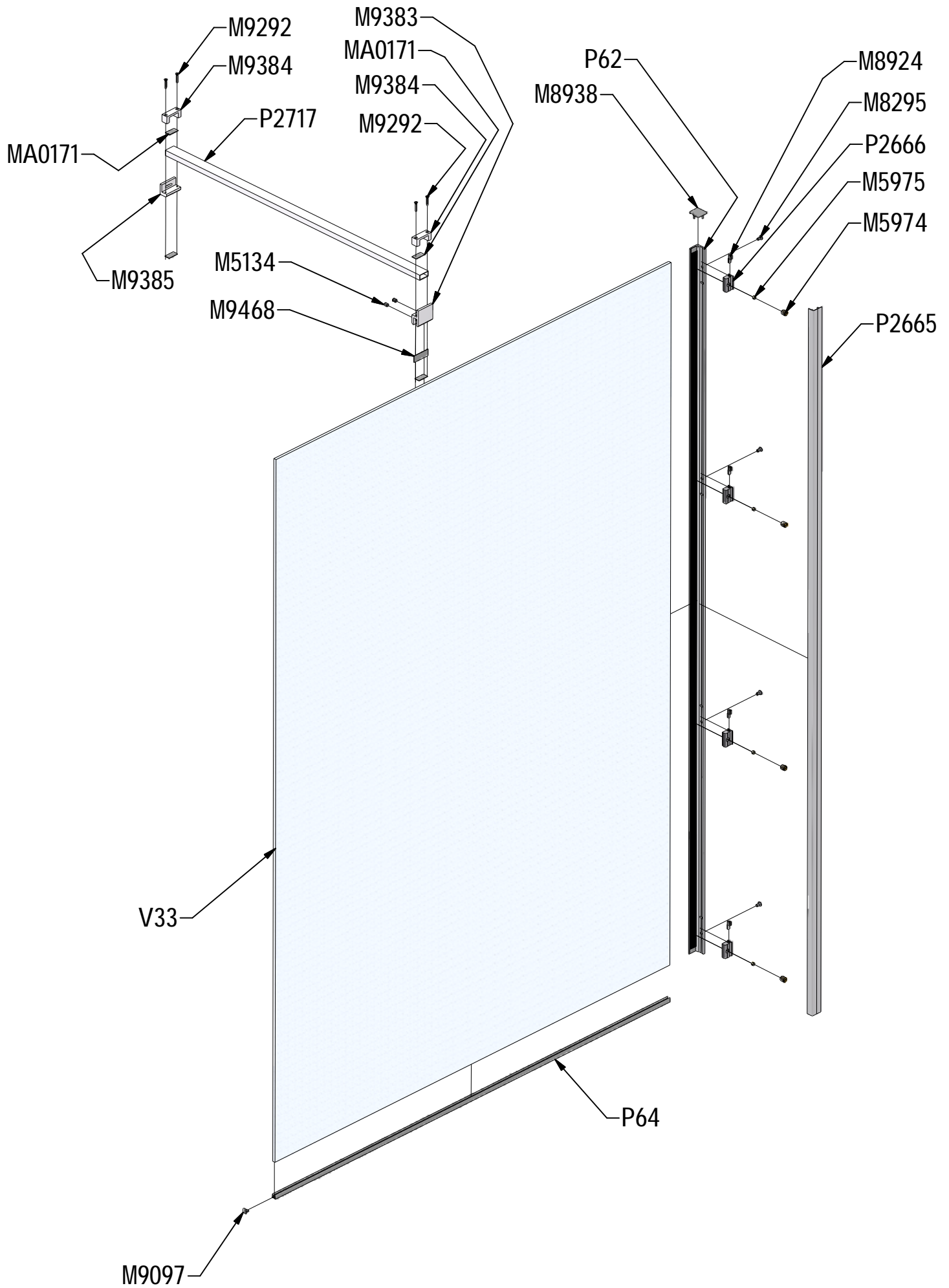


SILICONE

SILICONE







P62			ND01-2361-00
P64	900		P2982
	1000		P2739
	1200		P2740
	1400		P2741
	1500		P2742

V33	900	clear glass	ND03-0474 -00-02
	1000	clear glass	ND03-0374-00-02
	1200	clear glass	ND03-0375-00-02
	1400	clear glass	ND03-0376-00-02
	1500	clear glass	ND03-0377-00-02







**ROLTECHNIK a.s. / Třebov 160 / 569 33,  
CZECH REPUBLIC**

**11**

**EN 14428:2008+A1**