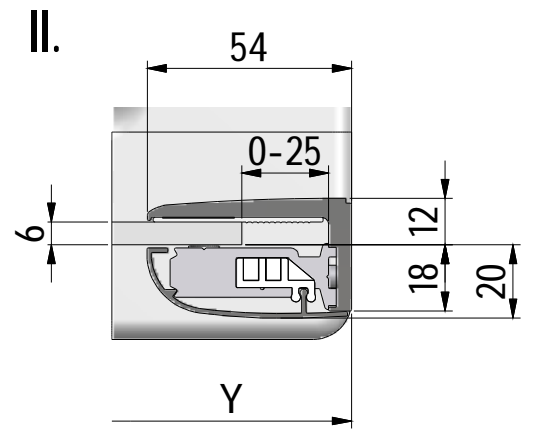
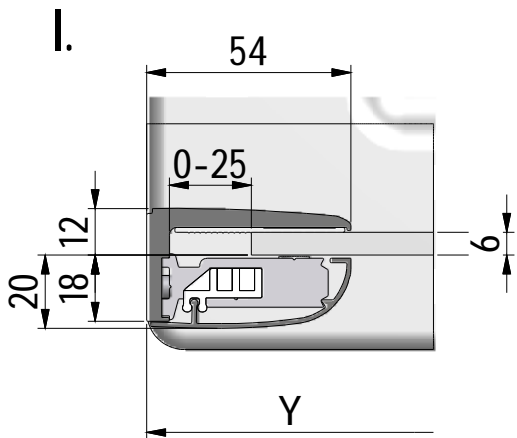
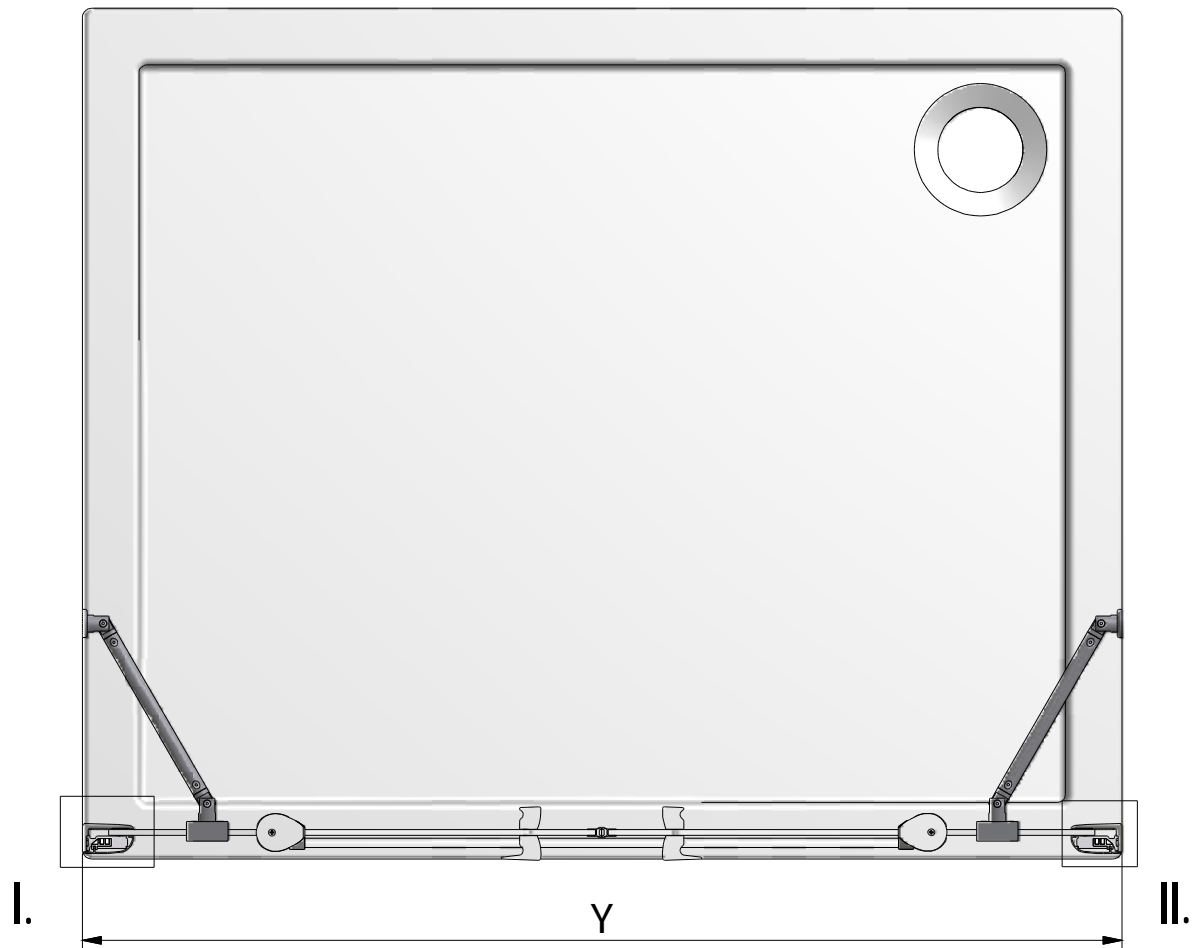


TDN2





TDN2	Y (mm)	
	MIN	MAX
1100	1060	1110
1200	1160	1210
1300	1260	1310
1400	1360	1410
1500	1460	1510

1. 2x
V20



2. 2x
V21



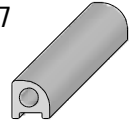
3. 2x



4. 2x
P32



5. 1x
P57



6. 8x
M0511
n6



7. 8x
M0811
3,9x38



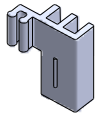
8. 8x
M5974



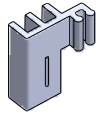
9. 8x
M5975



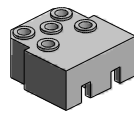
10. 4x
M5924



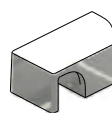
11. 4x
M5925



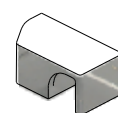
12. 2x
M8833



13. 1x
M8835



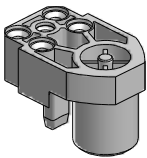
14. 1x
M8834



15. 4x
M0797
3,5x45



16. 2x
M0547



17. 4x
M0793
3,5x25



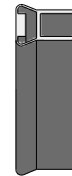
18. 2x
M1916



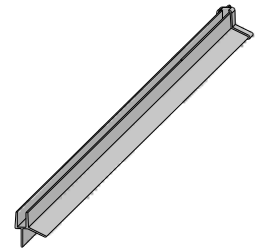
19. 2x
P3010



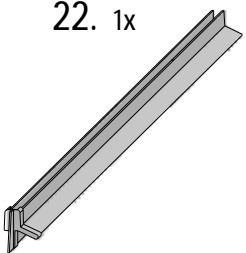
20. 2x
MA0852



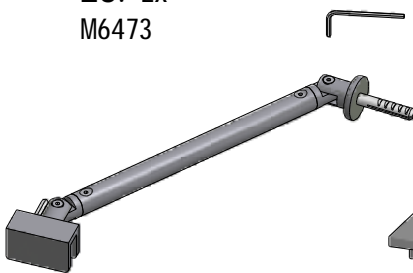
21. 1x



22. 1x



23. 2x
M6473



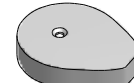
25. 1x
M5926



26. 1x
M5927



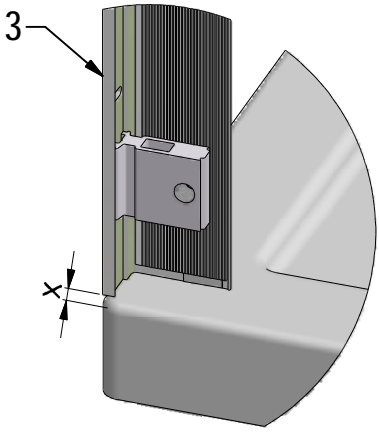
27. 2x
M1896



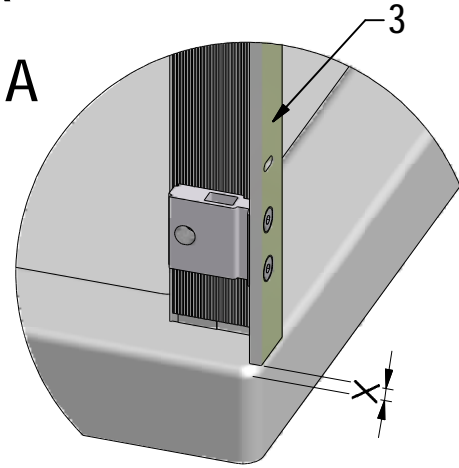
28. 2x
M0800
3,5x45



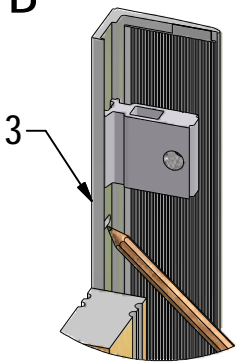
A



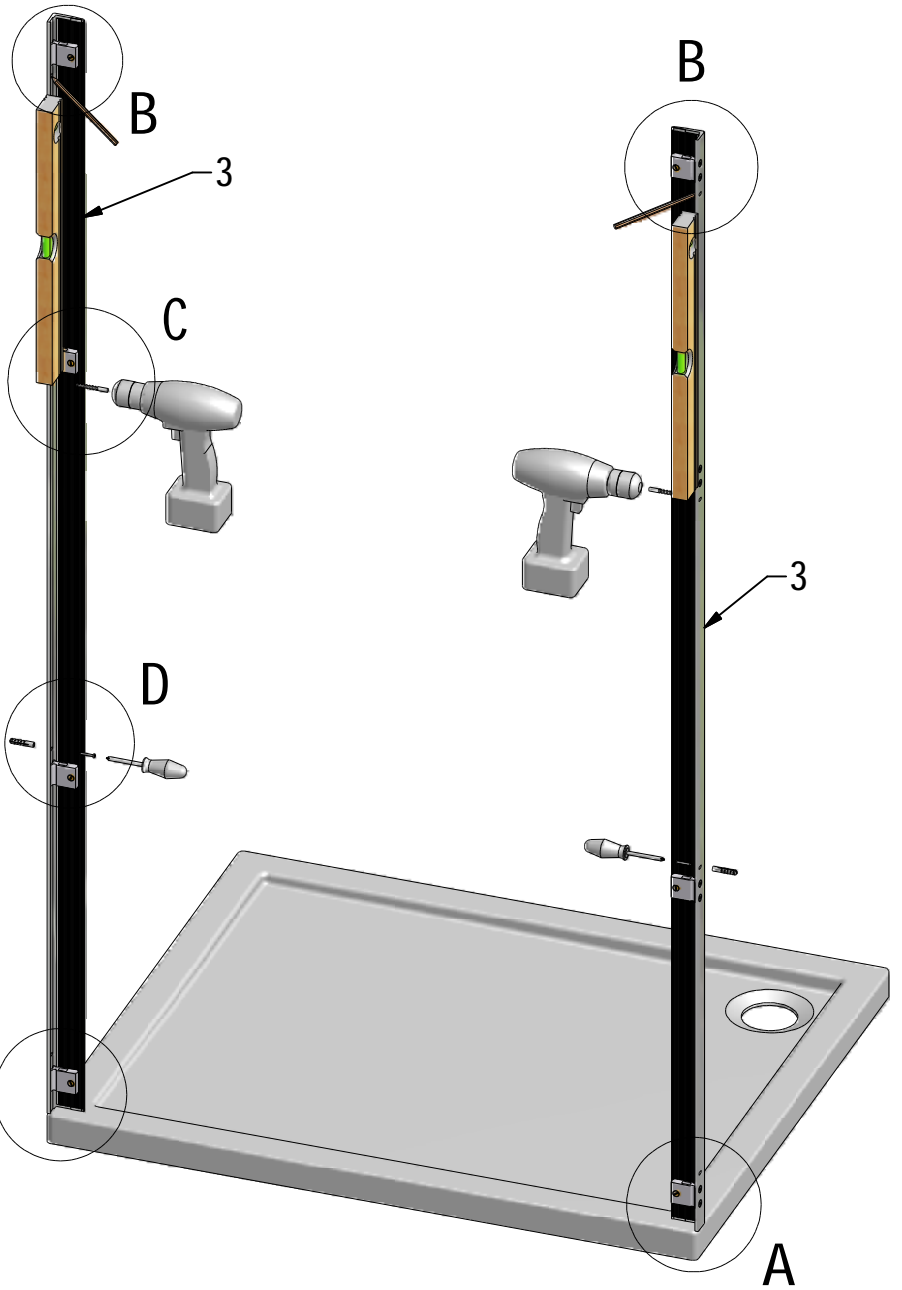
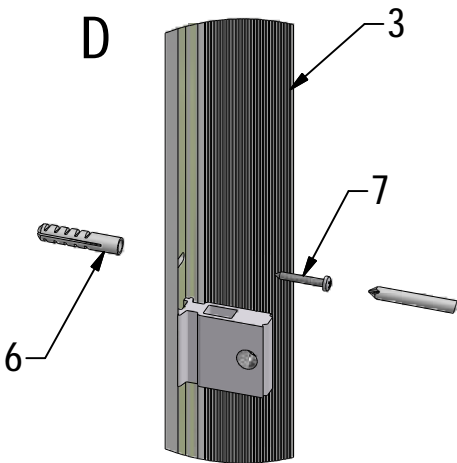
X=X



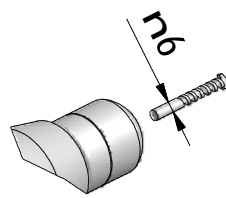
B



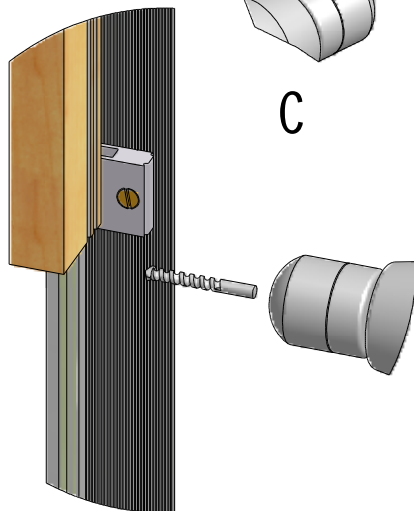
D



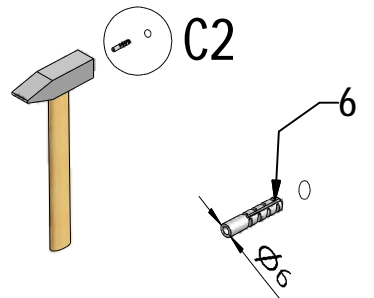
C1

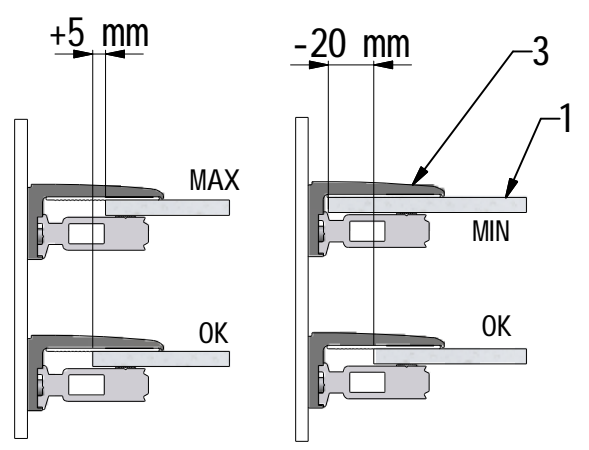
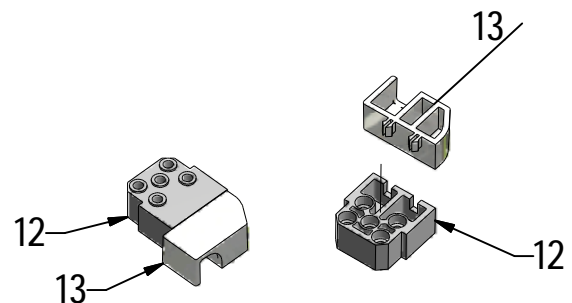
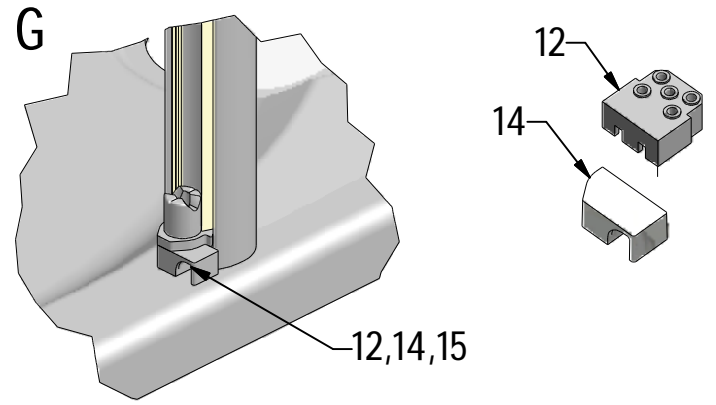
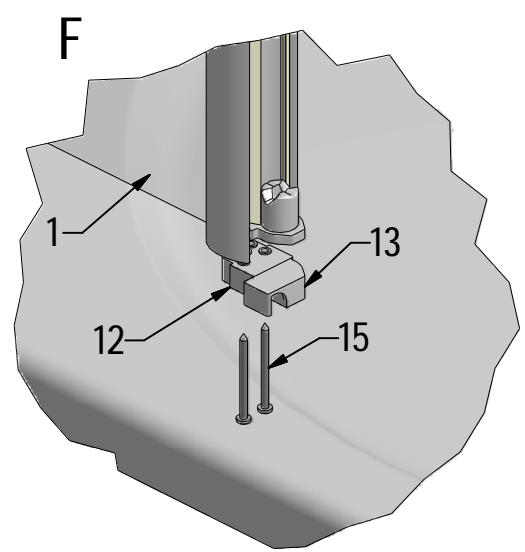
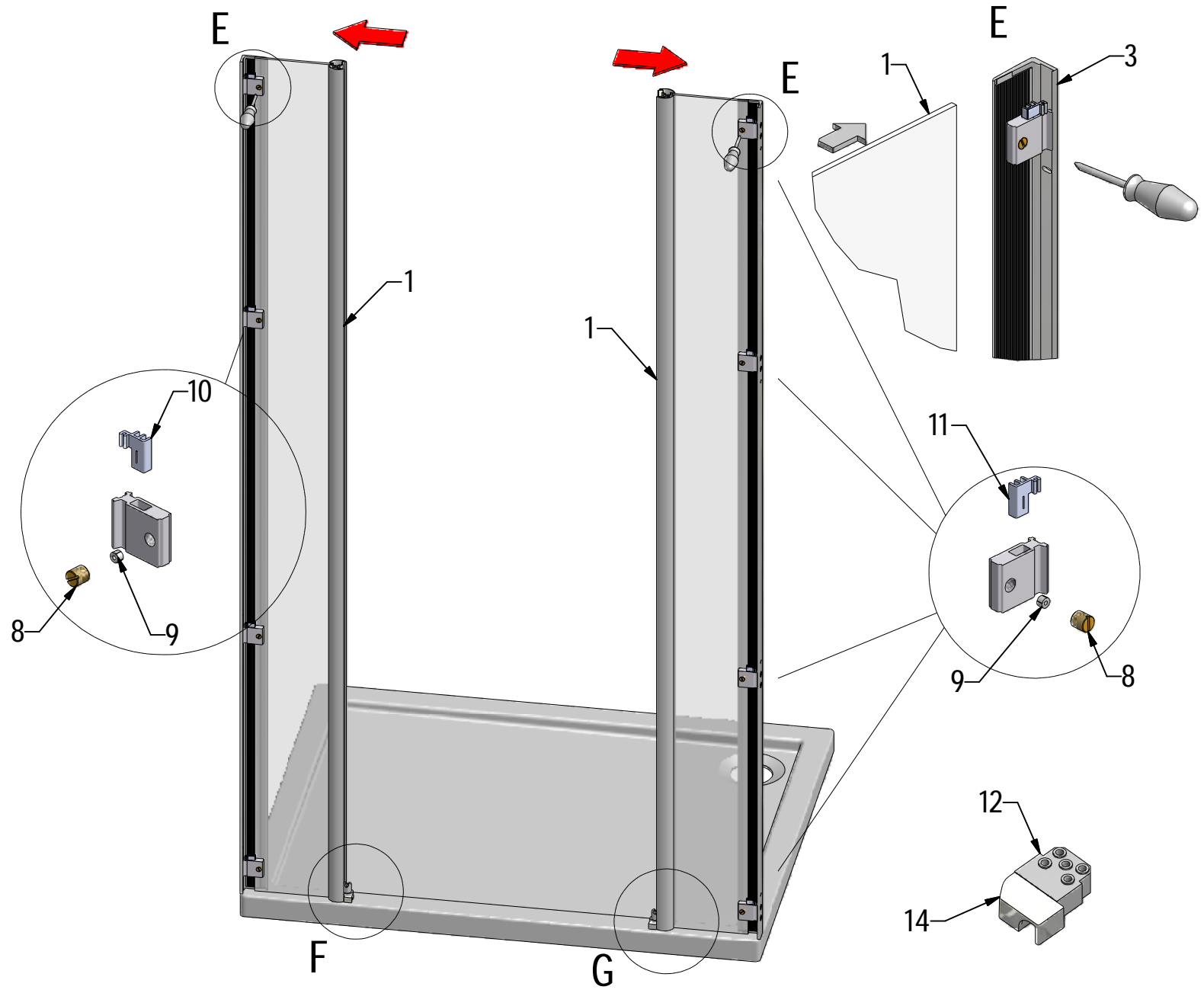


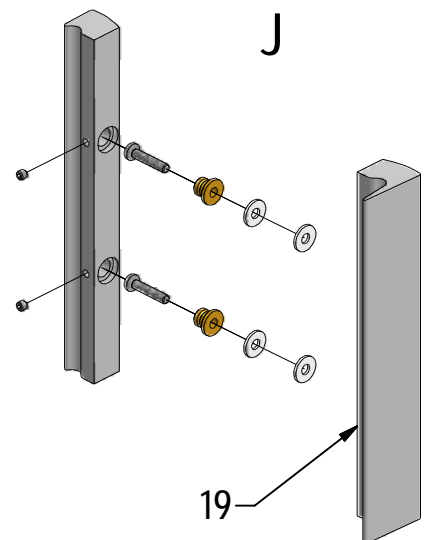
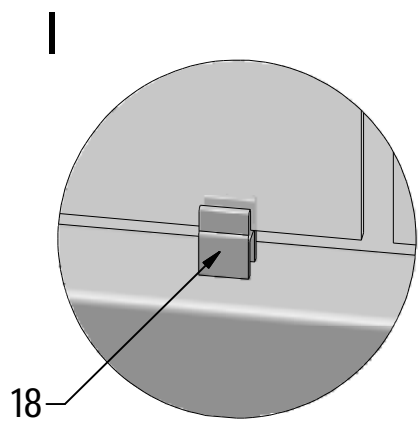
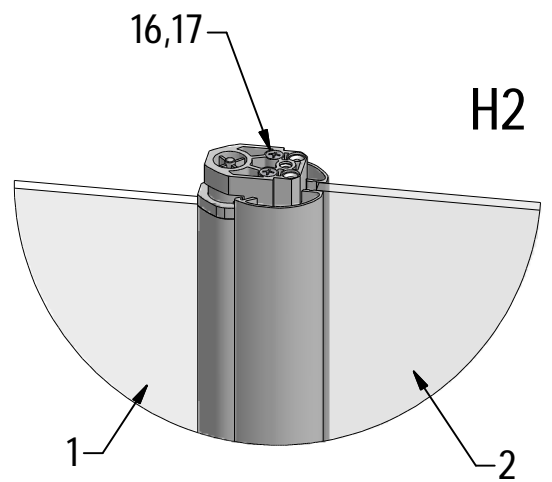
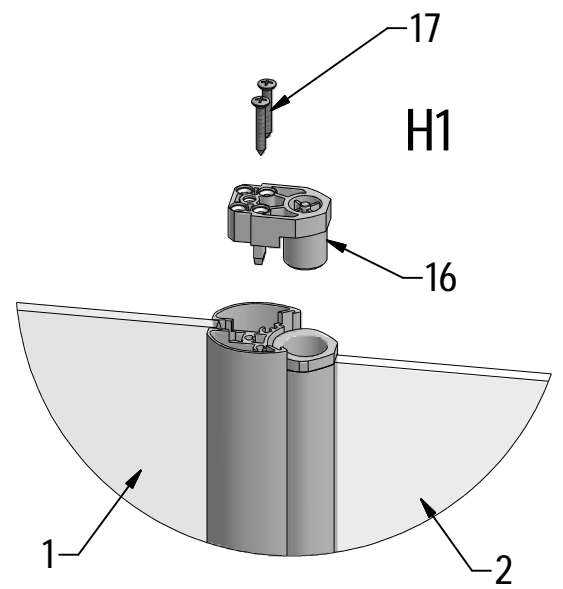
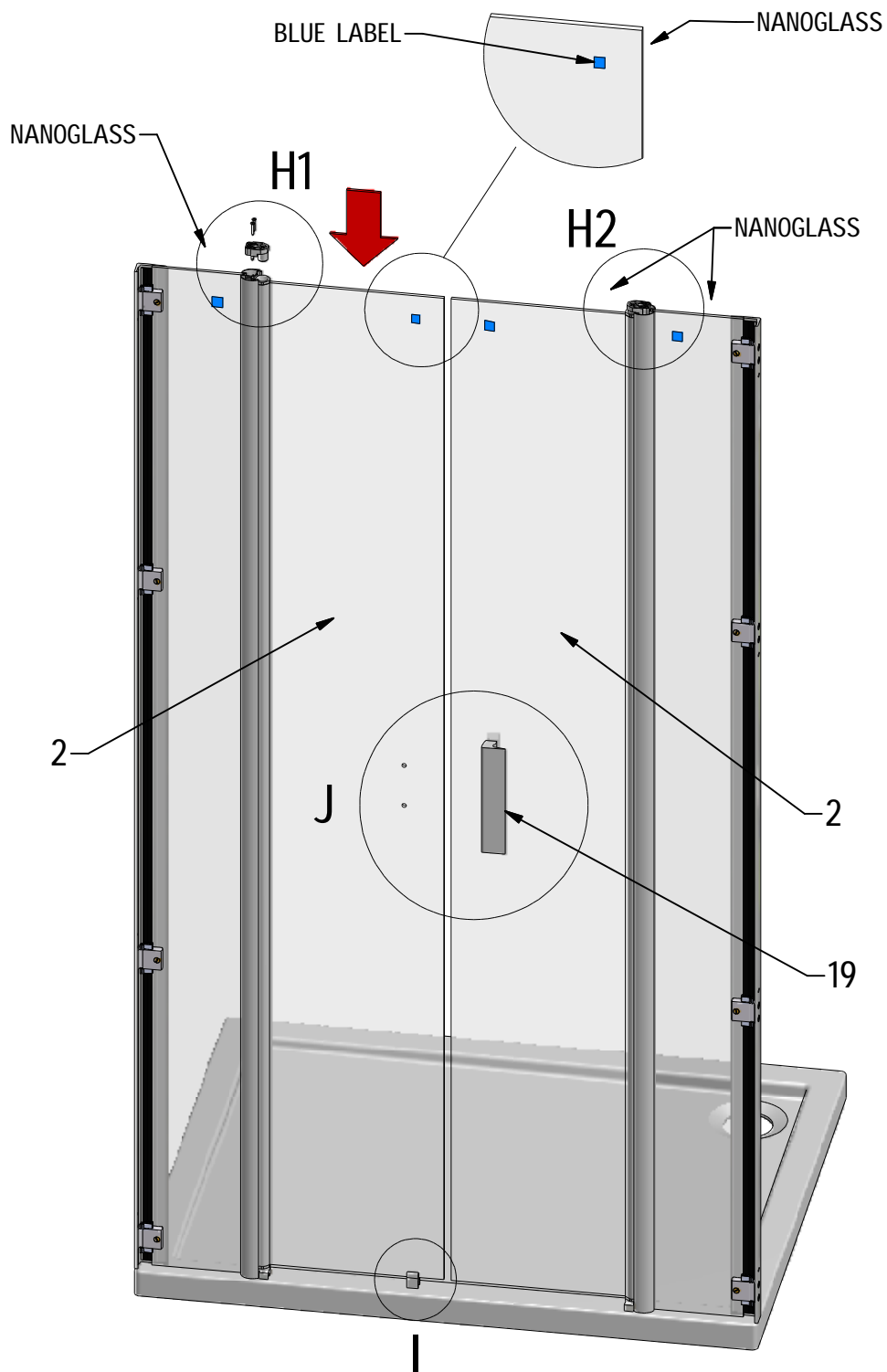
C

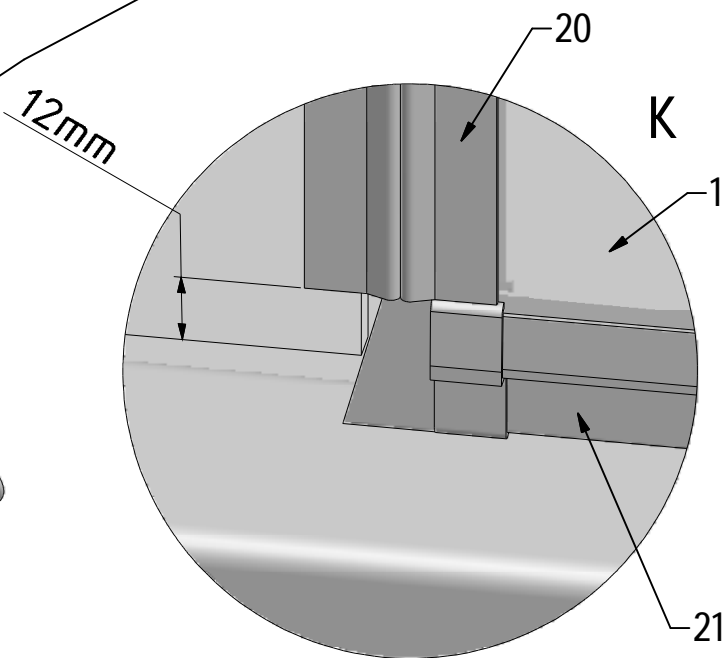
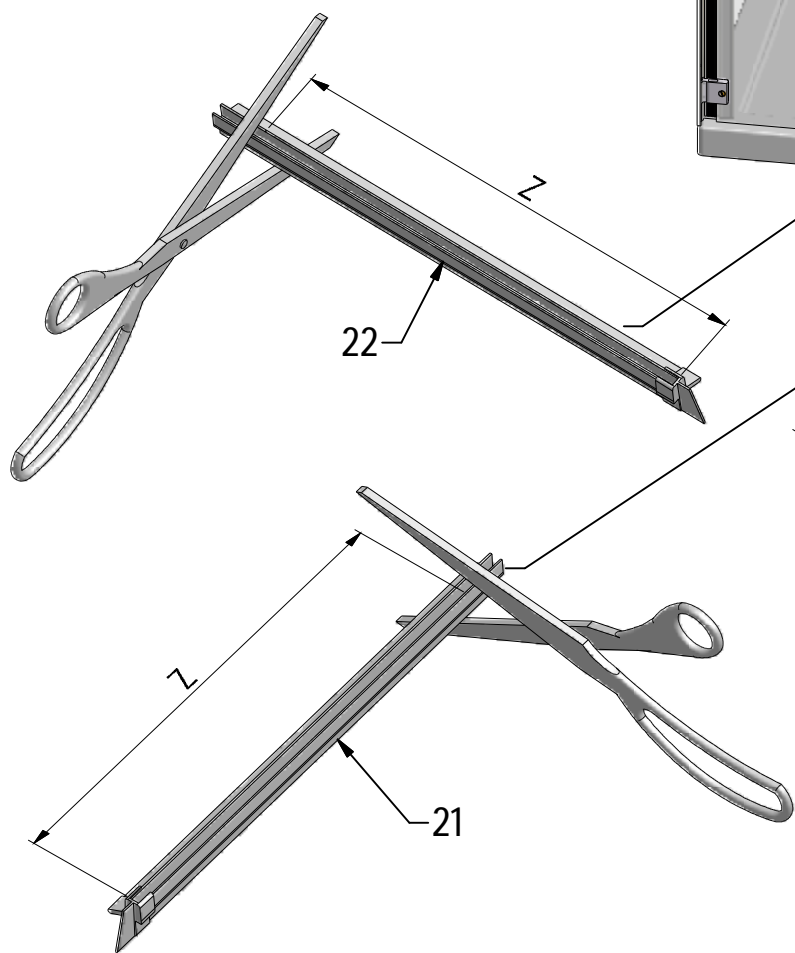
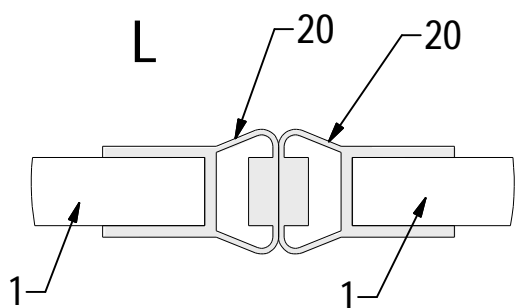
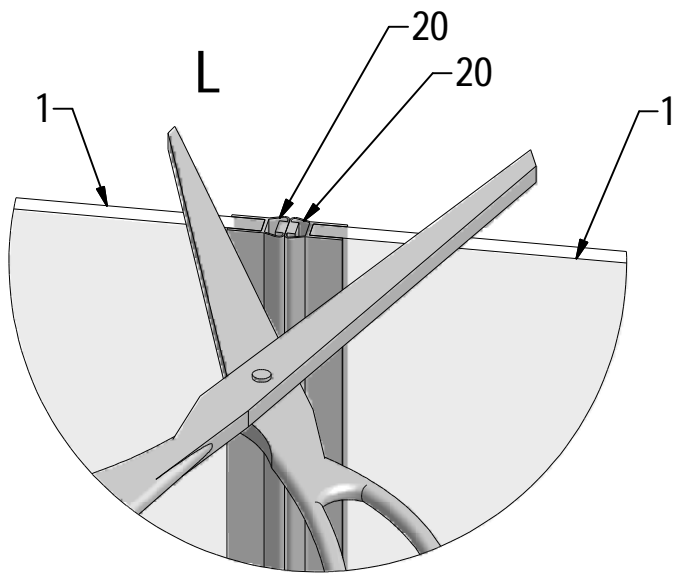


C2

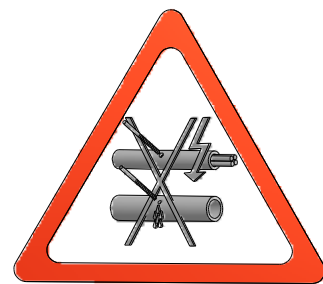
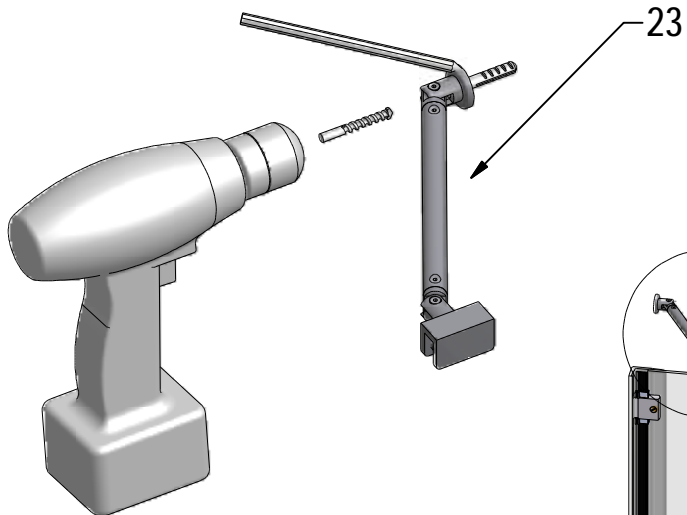








M1

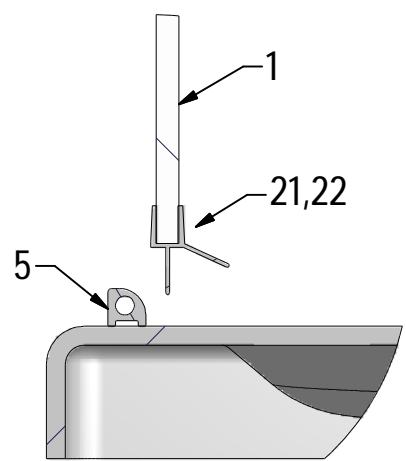
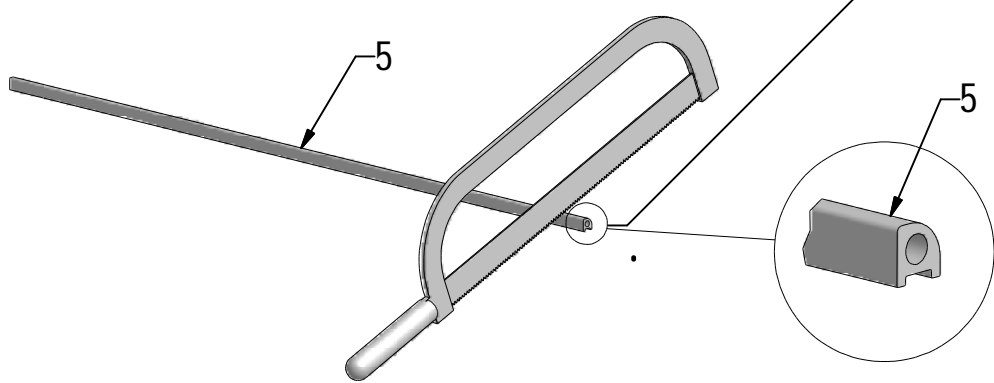
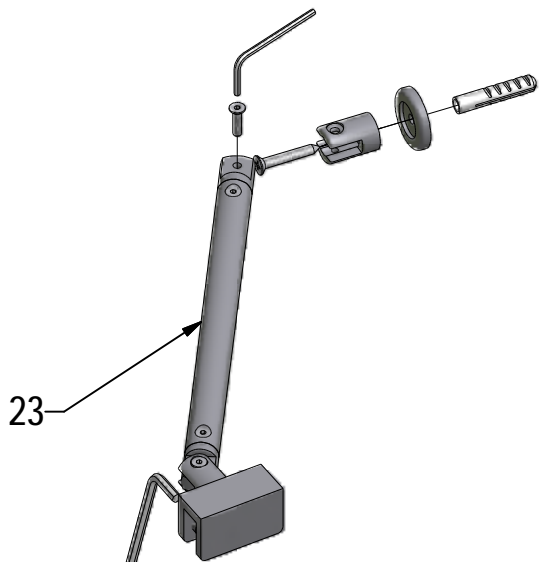


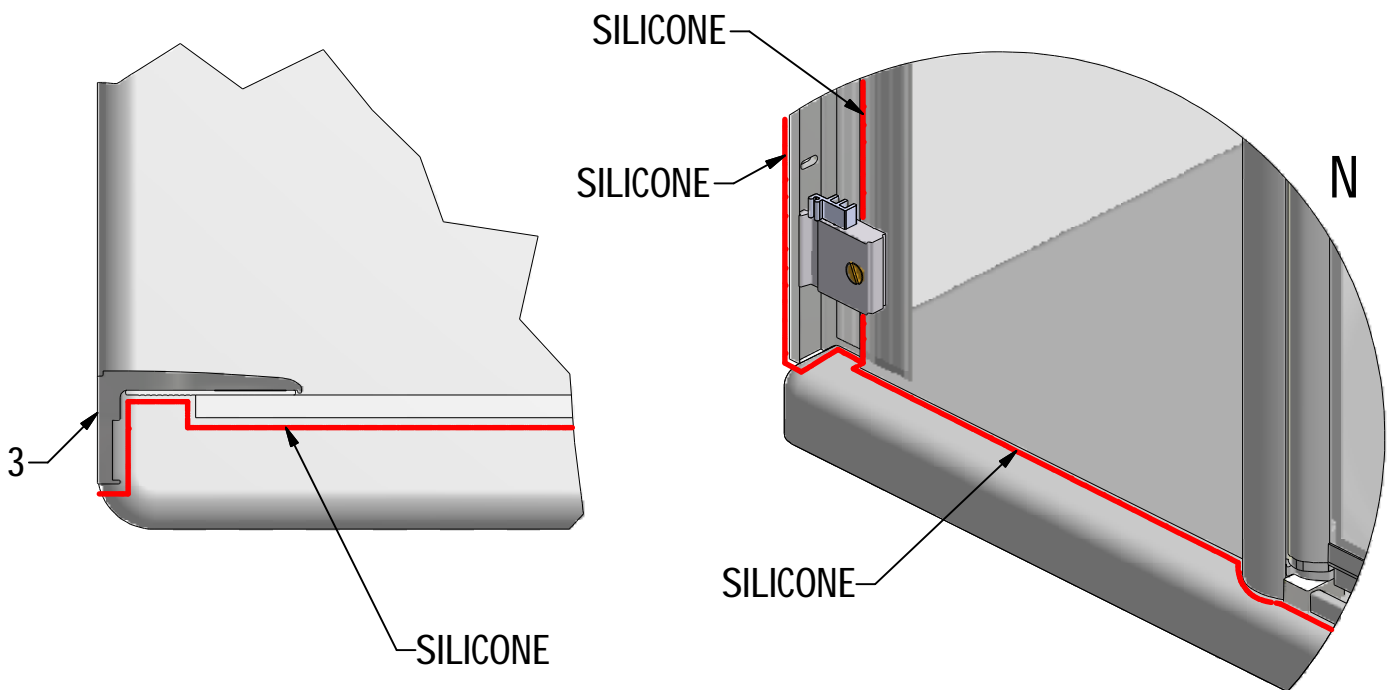
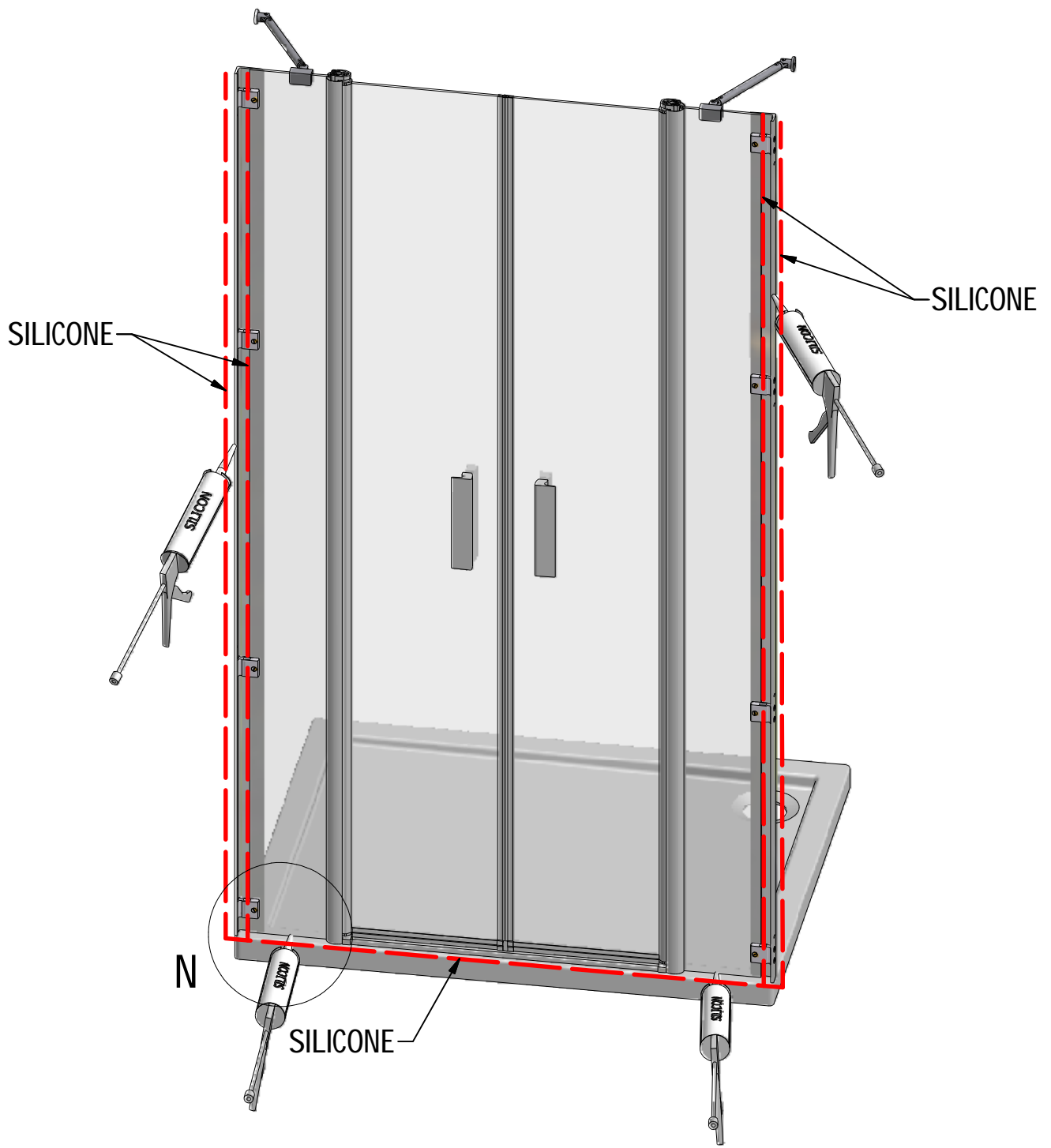
M

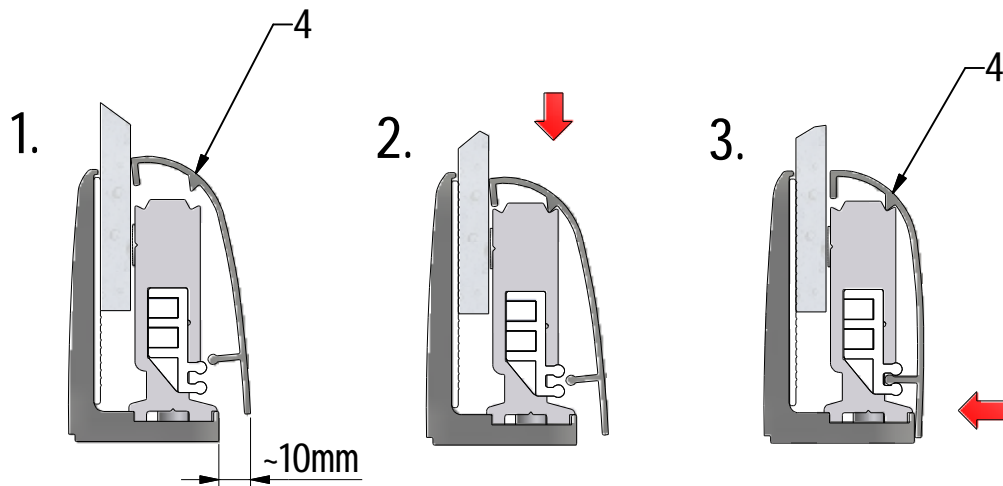
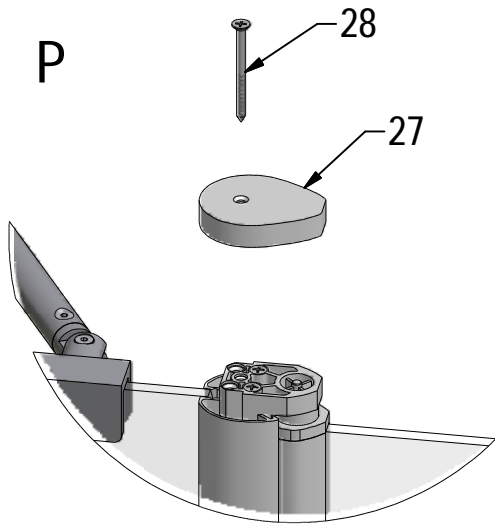
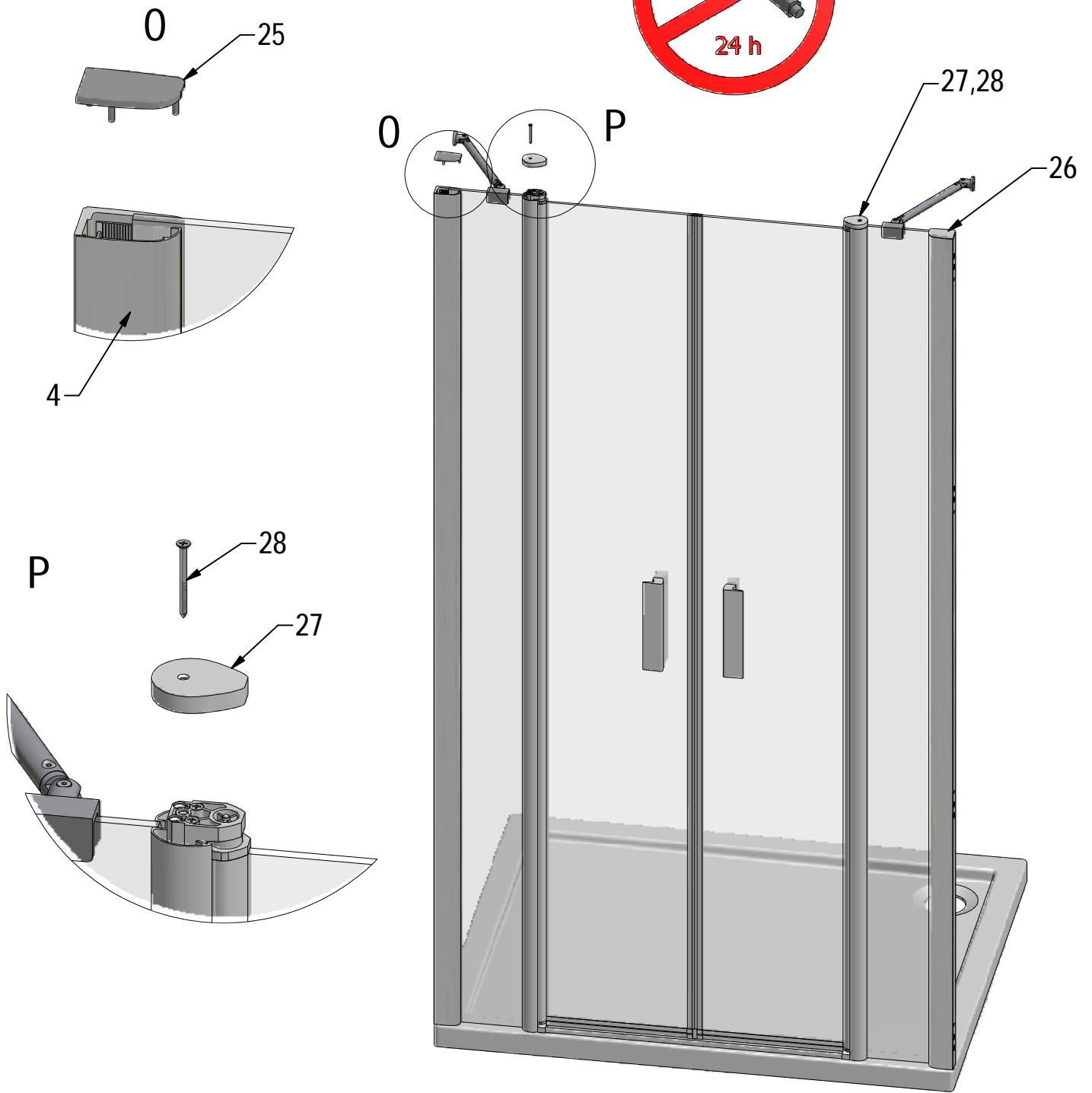
M

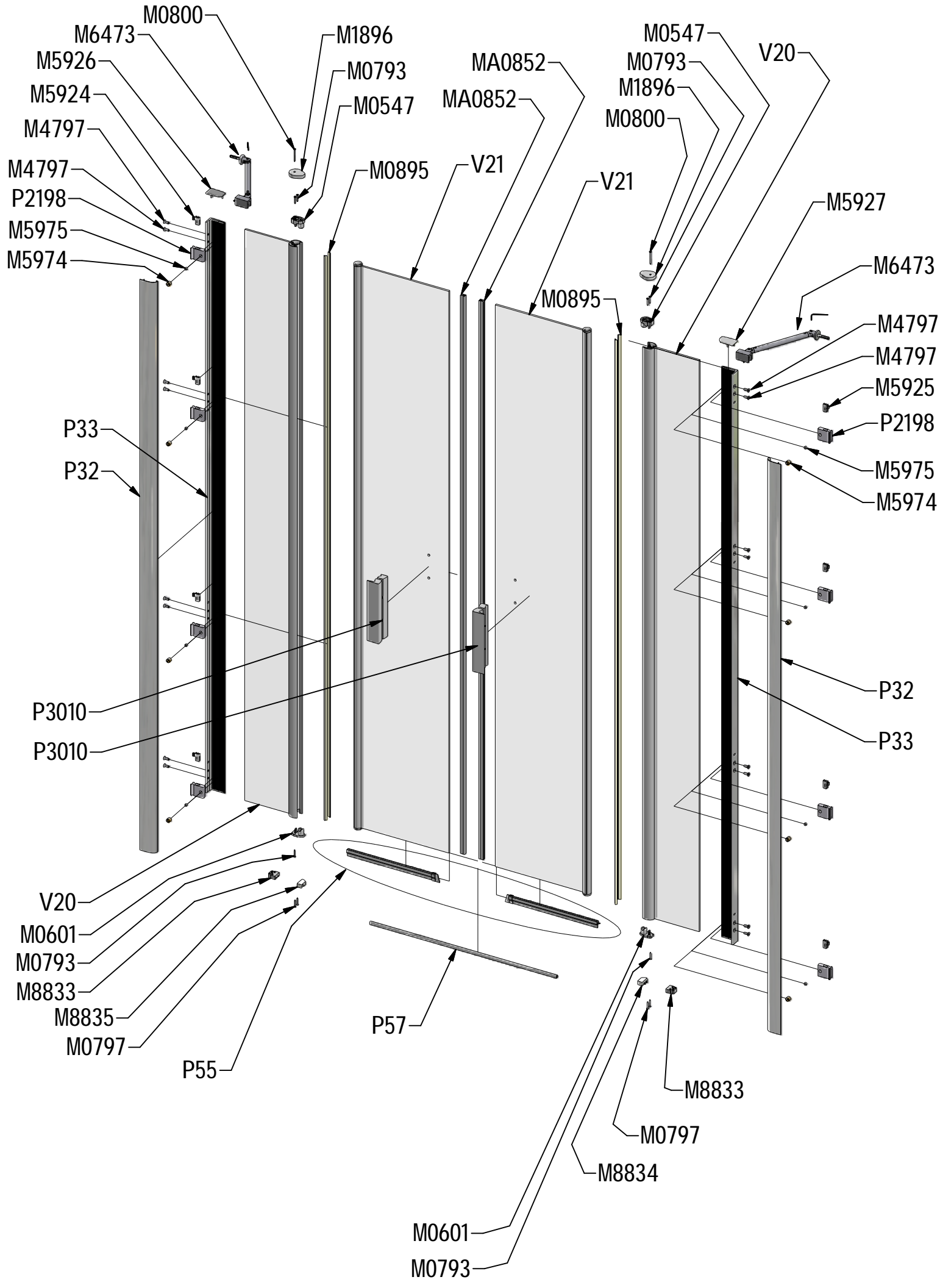


M2









P32		brillant	P2197
		elox	P2205
P33		brillant	ND01-0973-00
		elox	ND01-0973-01
P55			ND01-2422
P57	1100		ND01-2281-11
	1200		ND01-2281-11
	1300		ND01-2281-13
	1400		ND01-2281-13
	1500		ND01-2281-15

V20	1100	brilant+clear glass	brillant+ iré sklo	ND03-0352-00-02
		elox+clear glass	elox+ iré sklo	ND03-0352-01-02
	1200	brilant+clear glass	brillant+ iré sklo	ND03-0353-00-02
		elox+clear glass	elox+ iré sklo	ND03-0353-01-02
	1300	brilant+clear glass	brillant+ iré sklo	ND03-0352-00-02
		elox+clear glass	elox+ iré sklo	ND03-0352-01-02
	1400	brilant+clear glass	brillant+ iré sklo	ND03-0353-00-02
		elox+clear glass	elox+ iré sklo	ND03-0353-01-02
	1500	brilant+clear glass	brillant+ iré sklo	ND03-0352-00-02
		elox+clear glass	elox+ iré sklo	ND03-0352-01-02
V21	1100	brilant+clear glass	brillant+ iré sklo	ND02-0521-00-02
		elox+clear glass	elox+ iré sklo	ND02-0521-01-02
	1200	brilant+clear glass	brillant+ iré sklo	ND02-0521-00-02
		elox+clear glass	elox+ iré sklo	ND02-0521-01-02
	1300	brilant+clear glass	brillant+ iré sklo	ND02-0522-00-02
		elox+clear glass	elox+ iré sklo	ND02-0522-01-02
	1400	brilant+clear glass	brillant+ iré sklo	ND02-0522-00-02
		elox+clear glass	elox+ iré sklo	ND02-0522-01-02
	1500	brilant+clear glass	brillant+ iré sklo	ND02-0523-00-02
		elox+clear glass	elox+ iré sklo	ND02-0523-01-02



ROLTECHNIK a.s. / Třeboňov 160 / 569 33,
CZECH REPUBLIC

10

EN 14428:2008+A1