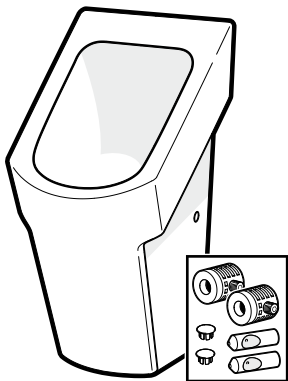
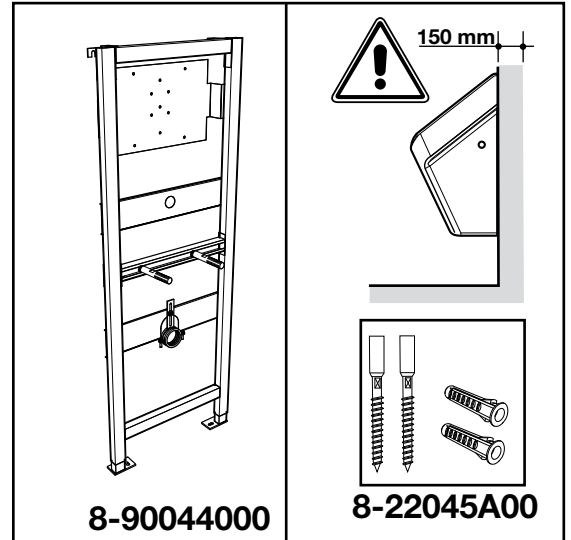


Roca

HALL WATERLESS

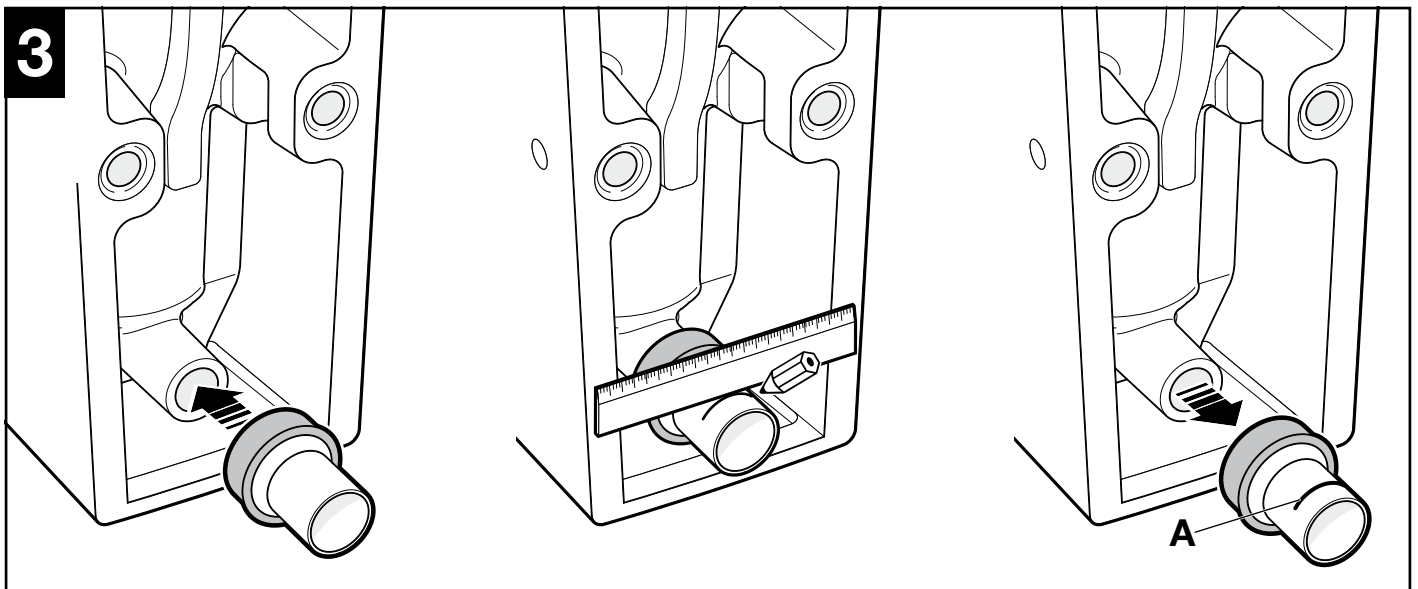
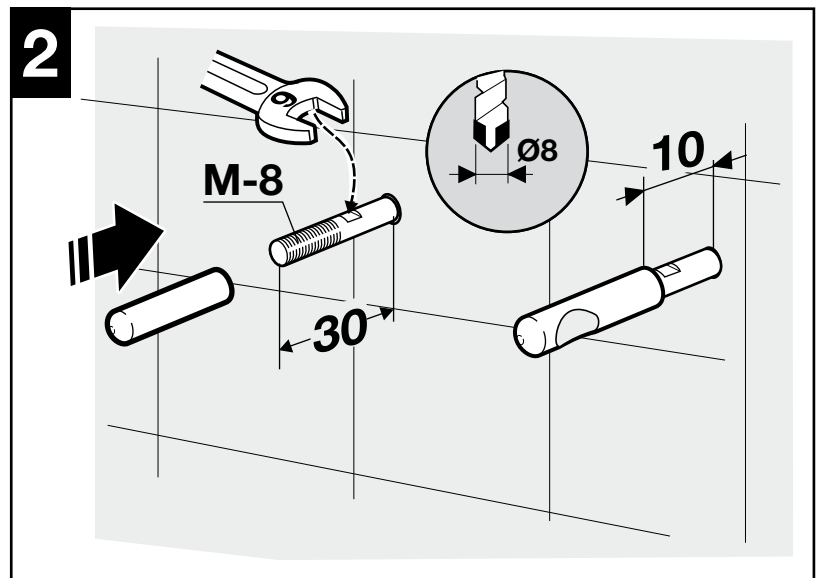
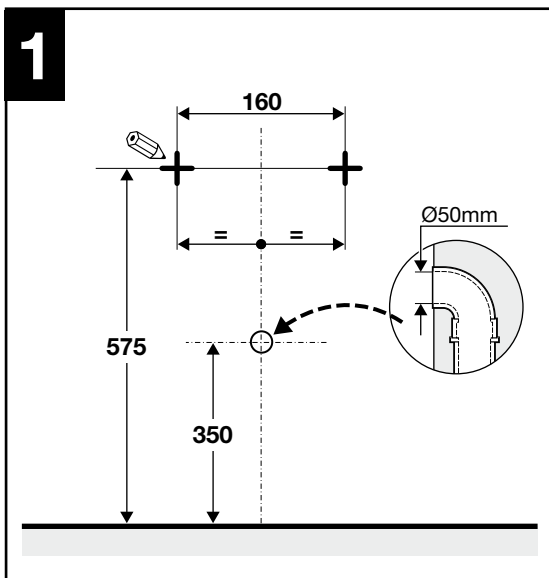


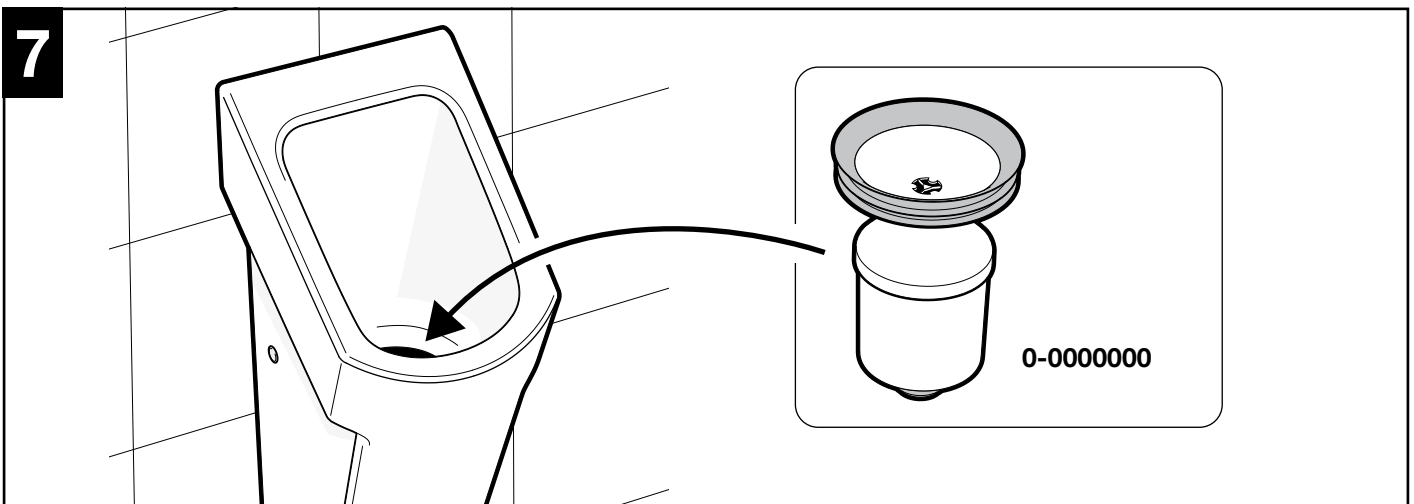
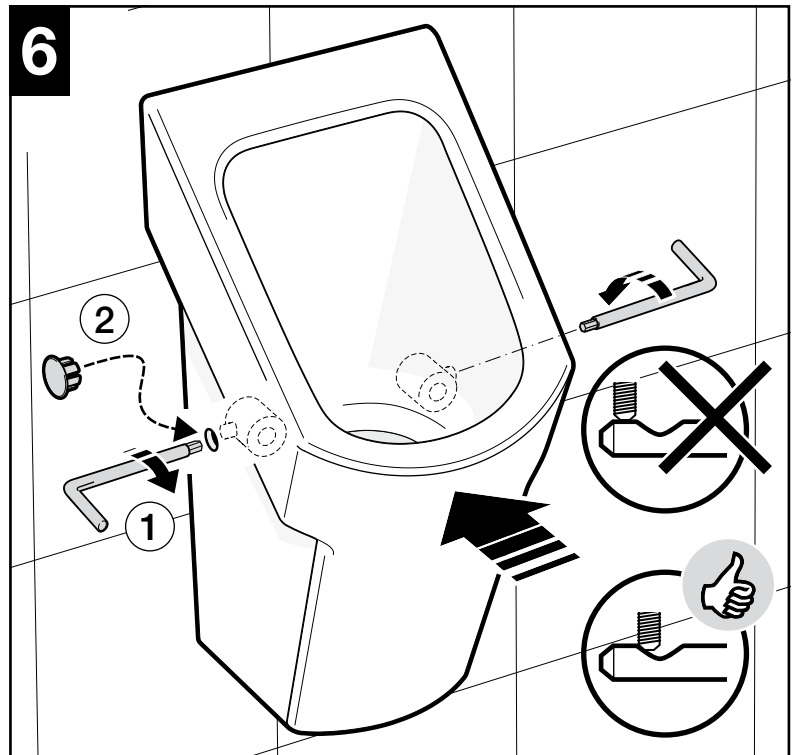
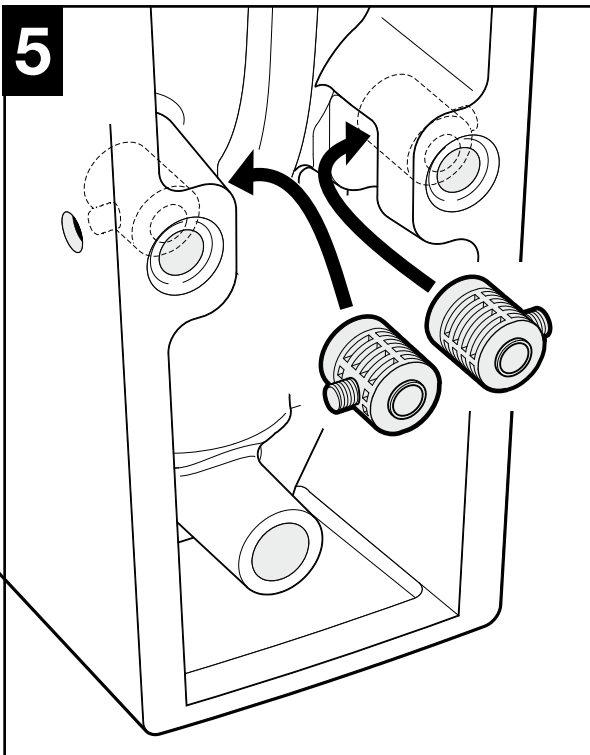
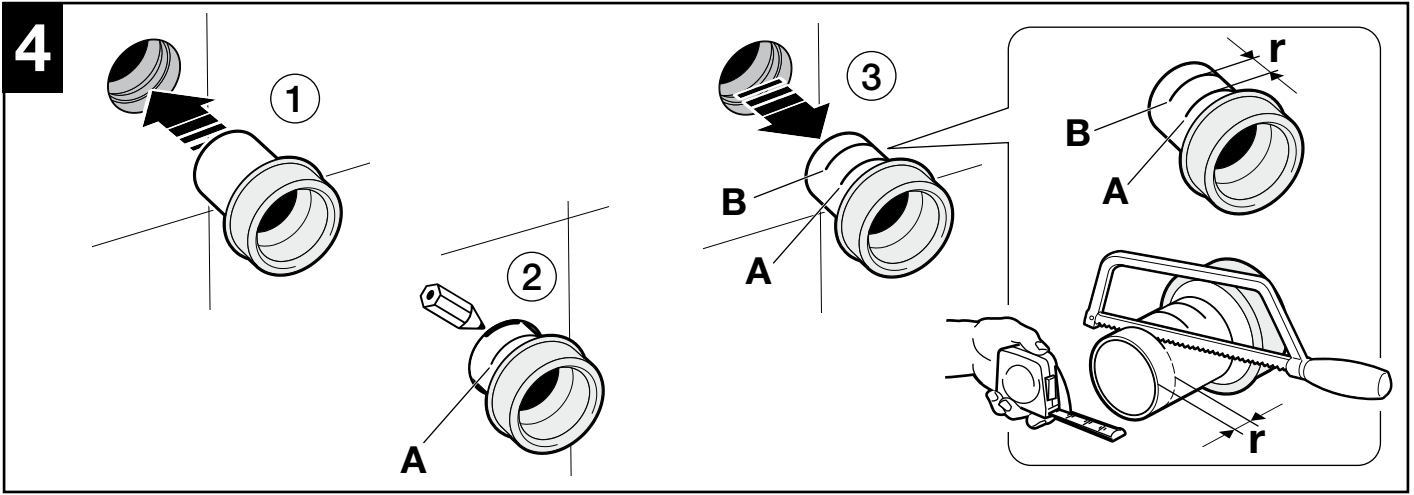
3-53620



8-90044000

8-22045A00





Roca Sanitario, S.A.

Avda. Diagonal, 513
08029 Barcelona
SPAIN
www.roca.com

Roca

8-22786600