



SPARE PARTS EXPLODED VIEW  
STORAGE ELECTRIC WATER HEATERS

Model

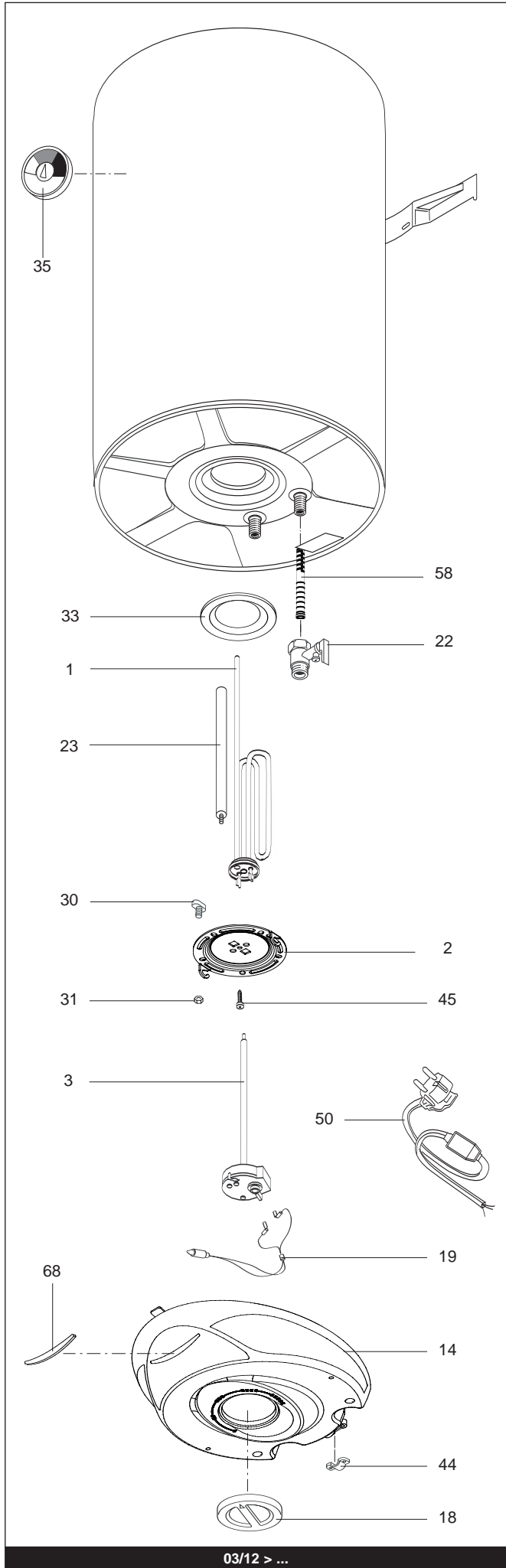
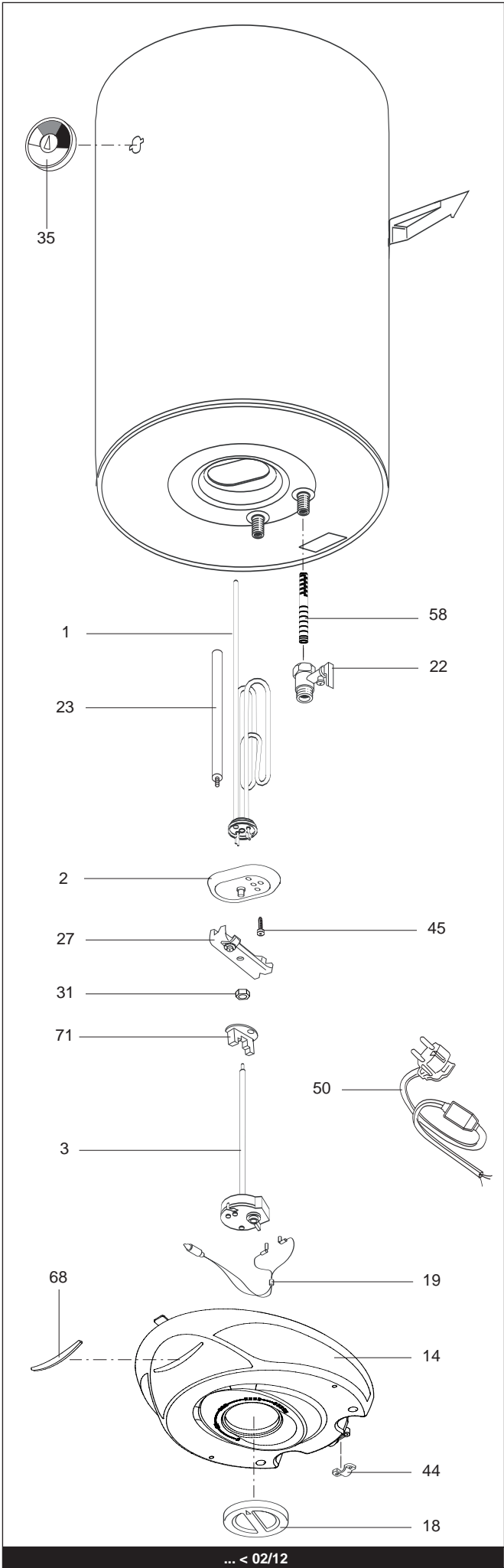
**ABS PRO R V**

R8216498-02EN - Edition 02 - 17/02/2012

ABS PRO R V

Storage Electric Water Heaters

370 0162		ABS PRO R 50 V	...	...
370 0163		ABS PRO R 80 V	...	...
370 0164		ABS PRO R 100 V	...	...
370 0243		ABS PRO R 120 V	...	...
370 0244		ABS PRO R 150 V	...	...
Reference	Ind.	Model type	Begin	End



Key N	Description	Manf. Pt. N	Type						Manf. date		
				50	80	100	120	150	from	to	
0001	HEATING ELEMENT 1500W 228V	65111790		•	•	•				03/12	
	HEATING ELEMENT 1800W 228V	65111868				•	•			03/12	
	HEATING ELEMENT 1500W 230V	816616		•	•	•					02/12
	HEATING ELEMENT 1800W 230V	65108913				•	•				02/12
0002	FLANGE WITH GASKET	65108275		•	•	•	•	•			02/12
	FLANGE (5 HOLES)	65111789		•	•	•	•	•		03/12	
0003	THERMOSTAT	691217		•	•	•	•	•			
0014	PLASTIC COVER + SIGNAL LAMP CAP	65108467		•	•	•	•	•			02/12
	PLASTIC COVER + SIGNAL LAMP CAP	65180061		•	•	•	•	•		03/12	
0018	CONTROL KNOB	65102598		•	•	•	•	•			
0019	SIGNAL LAMP	993025		•	•	•	•	•			
0022	SAFETY VALVE WITH LEVER (1/2" 8,5 BAR)	571730		•	•	•	•	•		03/12	
	SAFETY VALVE WITH LEVER (1/2" 7 BAR)	65109003		•	•	•	•	•			02/12
0023	MAGNESIUM ANODE D:25,5 L:230 M5-M8	993014-01		•	•	•	•	•			
0027	FLANGE BRACKET	993011		•	•	•	•	•			02/12
0030	SCREW M6x20	65151225		•	•	•	•	•		03/12	
0031	NUT M8	570127		•	•	•	•	•			02/12
	LOCK NUT M6	994140		•	•	•	•	•		03/12	
0033	FLANGE GASKET	65111788		•	•	•	•	•		03/12	
0035	THERMOMETER	65108466		•	•	•	•	•			
0044	CABLE CLAMP	573266		•	•	•	•	•		03/12	
	CABLE CLAMP	993154		•	•	•	•	•			02/12
0045	SCREW M6X12	993000		•	•	•	•	•			
0050	MECHANIC CABLE WITH ELCB	65150868		•	•	•	•	•			
0058	BAFFLE G 1/2 L=116	65111141		•	•	•	•	•			
0068	SIGNAL LAMP CAP	65108468		•	•	•	•	•			
0071	TERMINAL SHIELD (YELLOW)	65103482				•	•				02/12
	TERMINAL SHIELD (NEUTRAL)	993010		•	•	•					02/12

## LIST OF THE ABBREVIATIONS

HW .....	: Hot water.
CW .....	: Cold water.
C .....	: Ceramic resistance (normal heating).
Ca .....	: Ceramic resistance (accelerated heating)
TP .....	: Immersion heater.
1F .....	: With fittings.
2F .....	: Without fittings.
3F .....	: With fittings and another outlet connection.
AMI .....	: With mixing valve.
SMI .....	: Without mixing valve.
PUISS .....	: Power of th appliance.
PN .....	: Appliance with normal pression.
LP .....	: Appliance with low pression.
PV .....	: Appliance with variable power.
PF .....	: Appliance with fixed power..

## IDENTIFICATION PLATE

### SERIAL NUMBER

<b>6 Characters :</b>	_____ 03 09 08 _____	Manufacturing day Month of manufacture
<b>9 Characters :</b>	_____ 5 9 12 0606 _____	Sequential number
<b>15 Characters :</b>	_____ 02 11 00001 007843 _____	Code appareil Sequential number
<b>21 Characters :</b>	_____ 3200050 XX 08115 0000001 _____	Sequential number Year (08) / Manufacturing day (115)
<b>22 Characters :</b>	_____ 3200050 XX 070115 0000001 _____	Sequential number Year (07) / Month (01) / Manufacturing day (15)

The indications mentioned on the prices, commercial or technical literature and the scheme are written for your guidance and are available at a given time. The CONSTRUCTOR retains the power to modify the presentation, the form, the size, the conception or the material of the products.