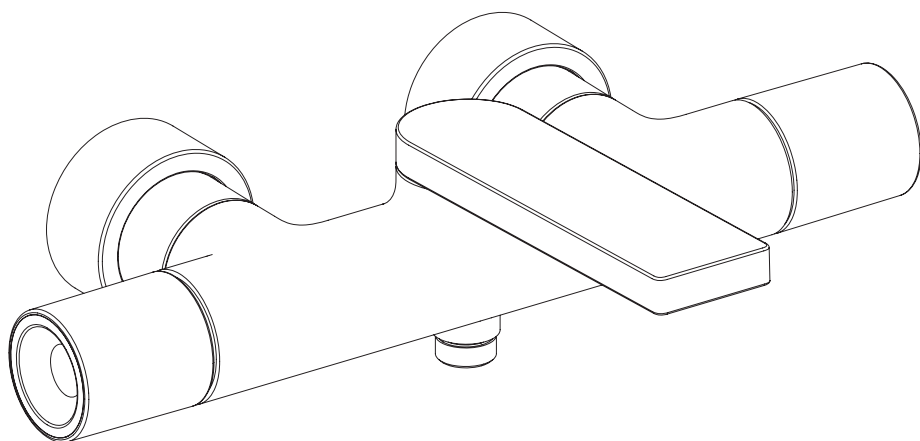
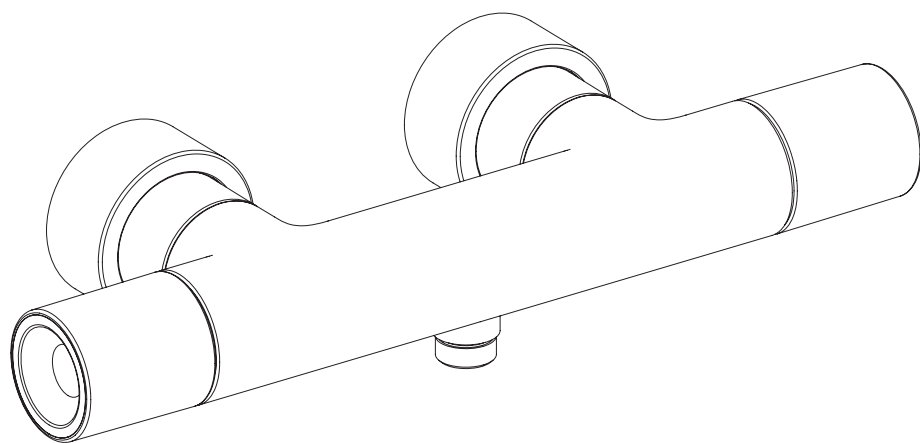
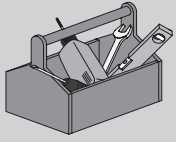


*Jacob Delafon*

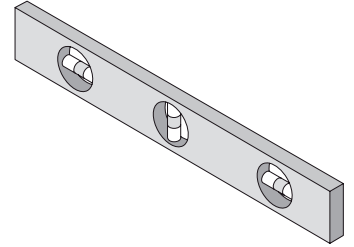
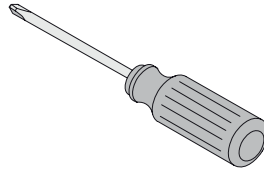
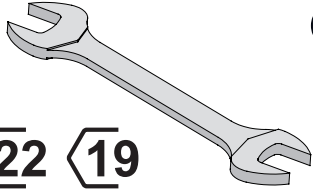


COMPOSED



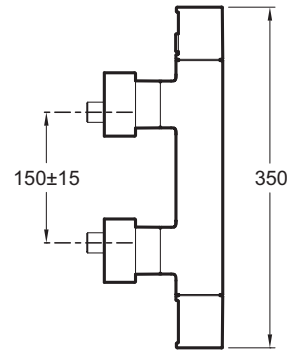
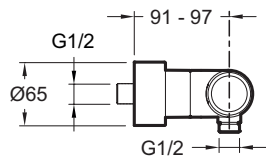


30 22 19

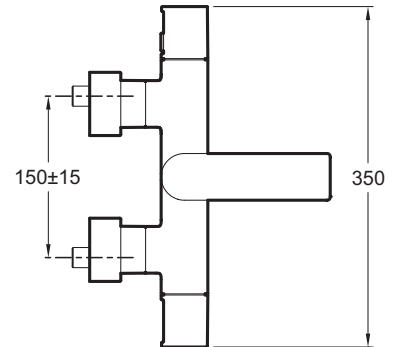
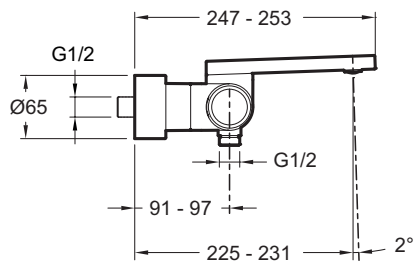


	Bar	0.5 < 3 < 6
	°C	55 < 60 < 65

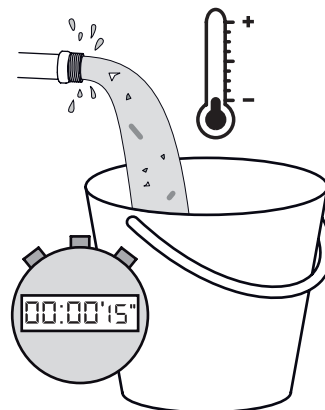
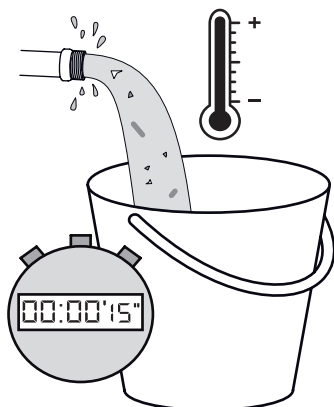
E73164-\*\*



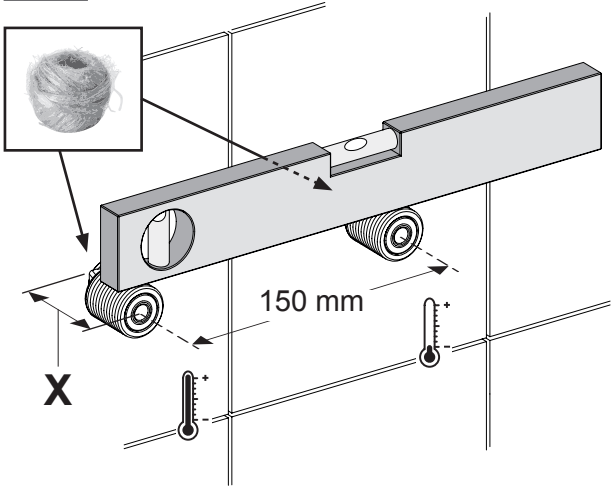
E73110-\*\*



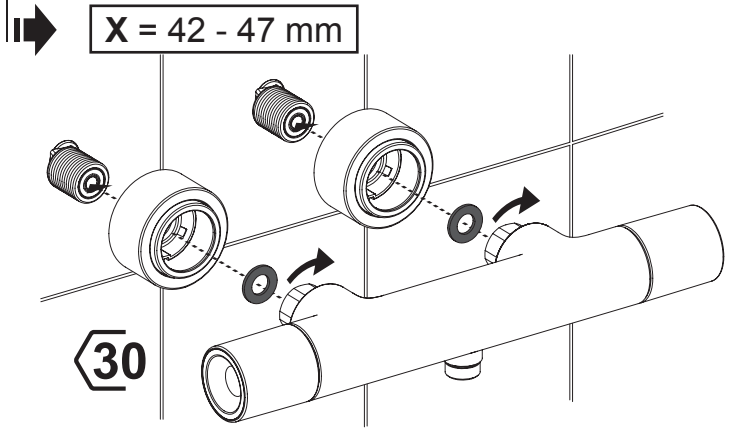
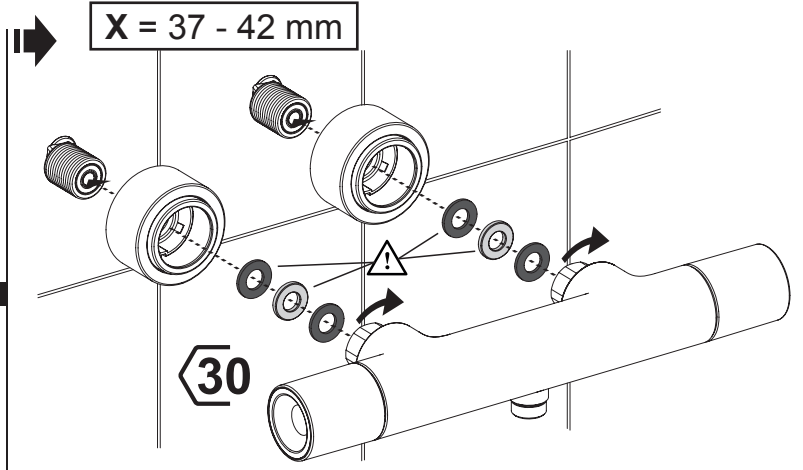
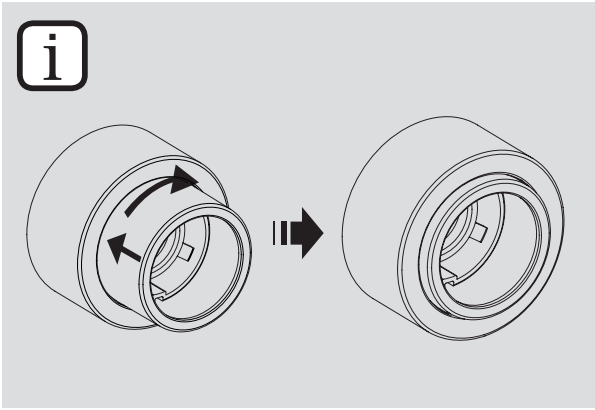
1



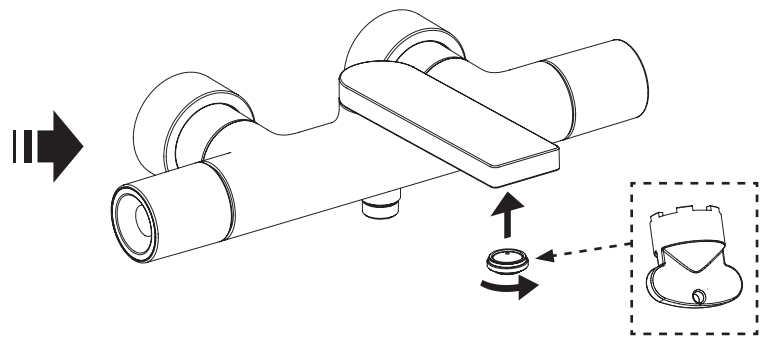
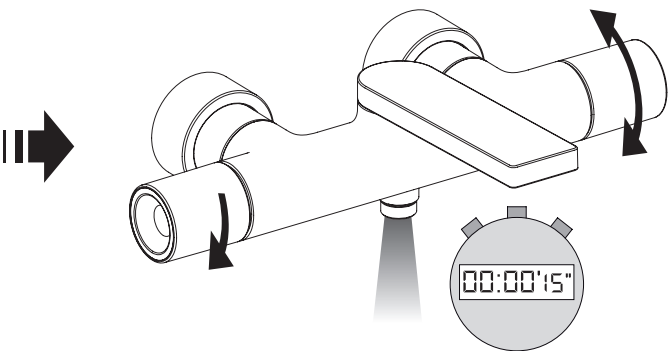
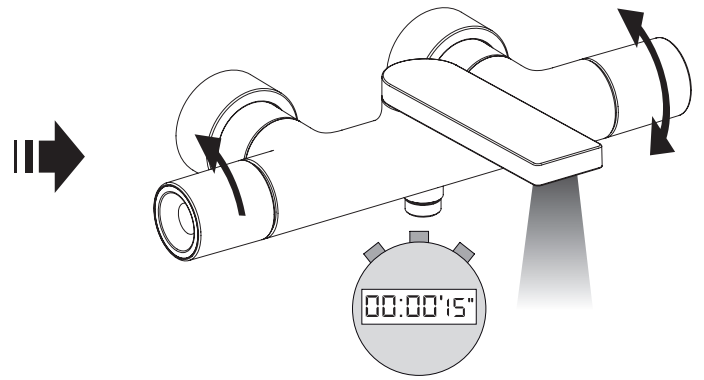
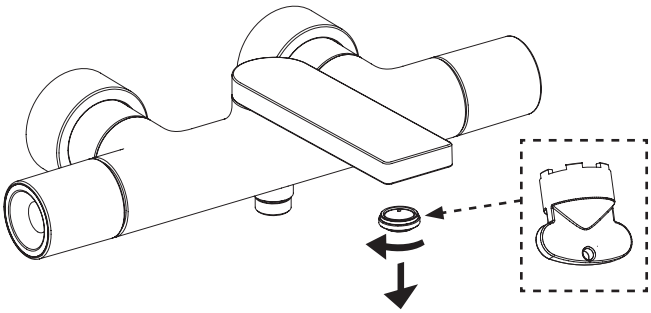
2

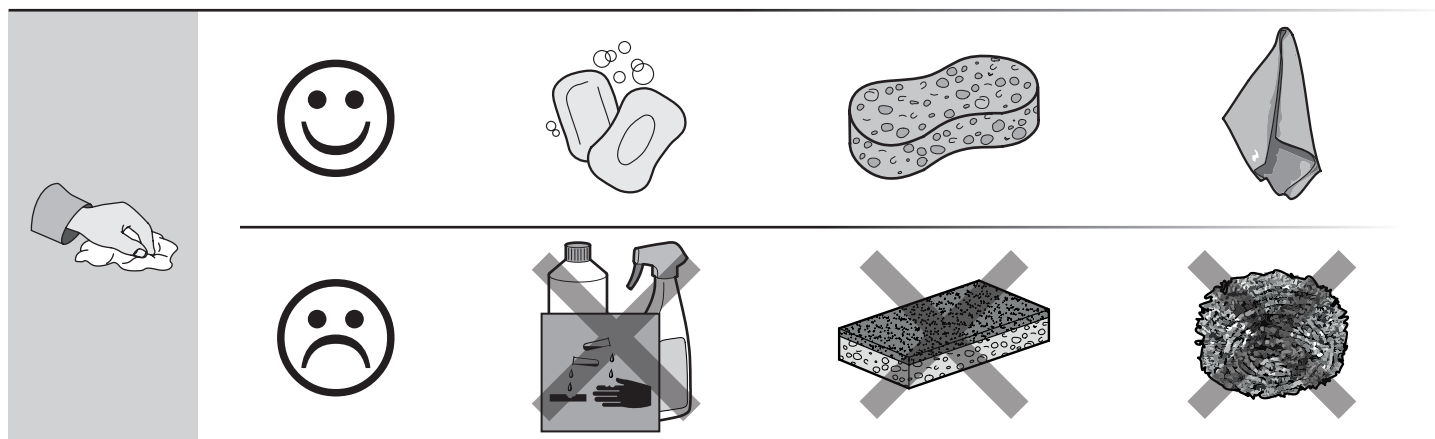
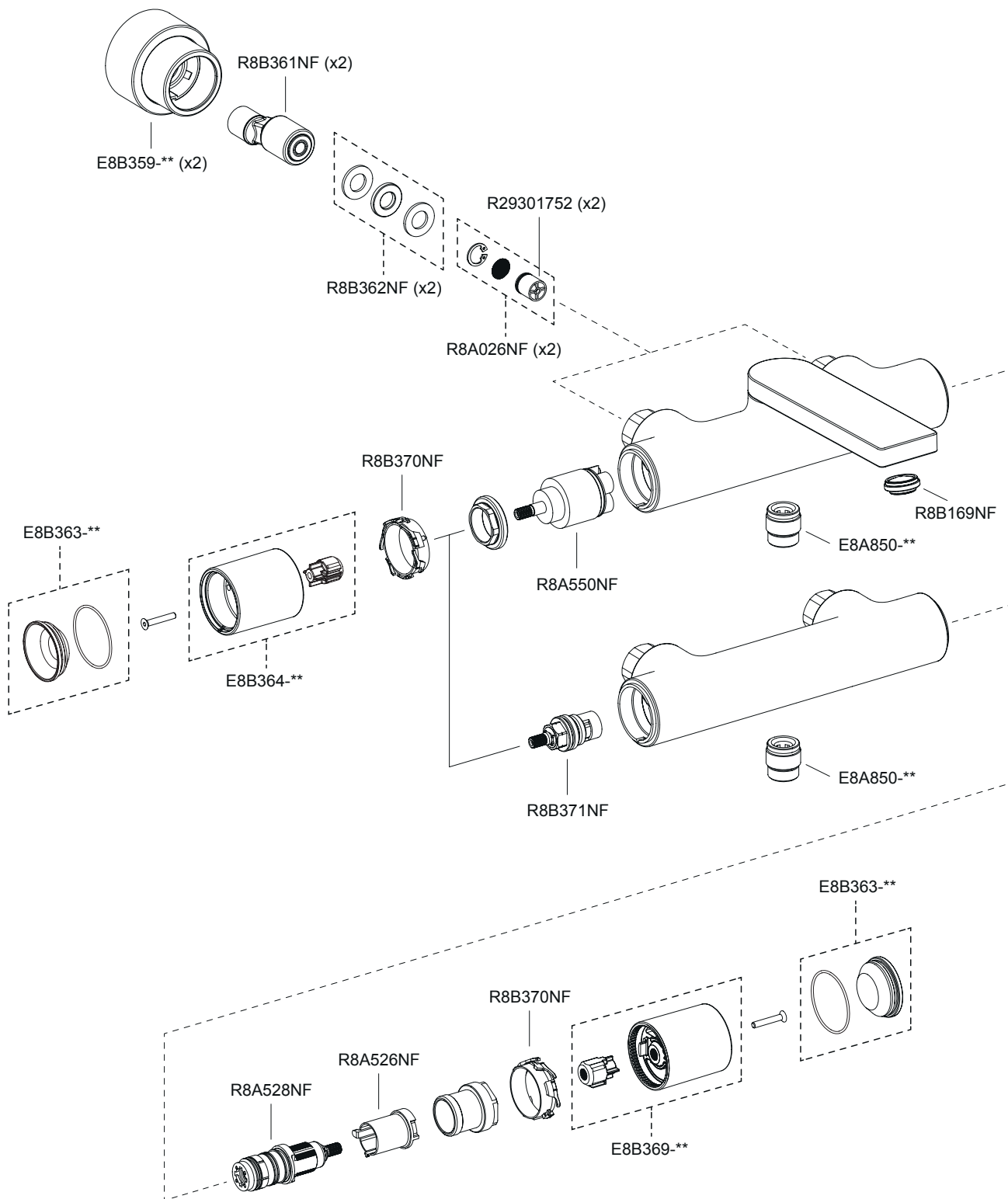


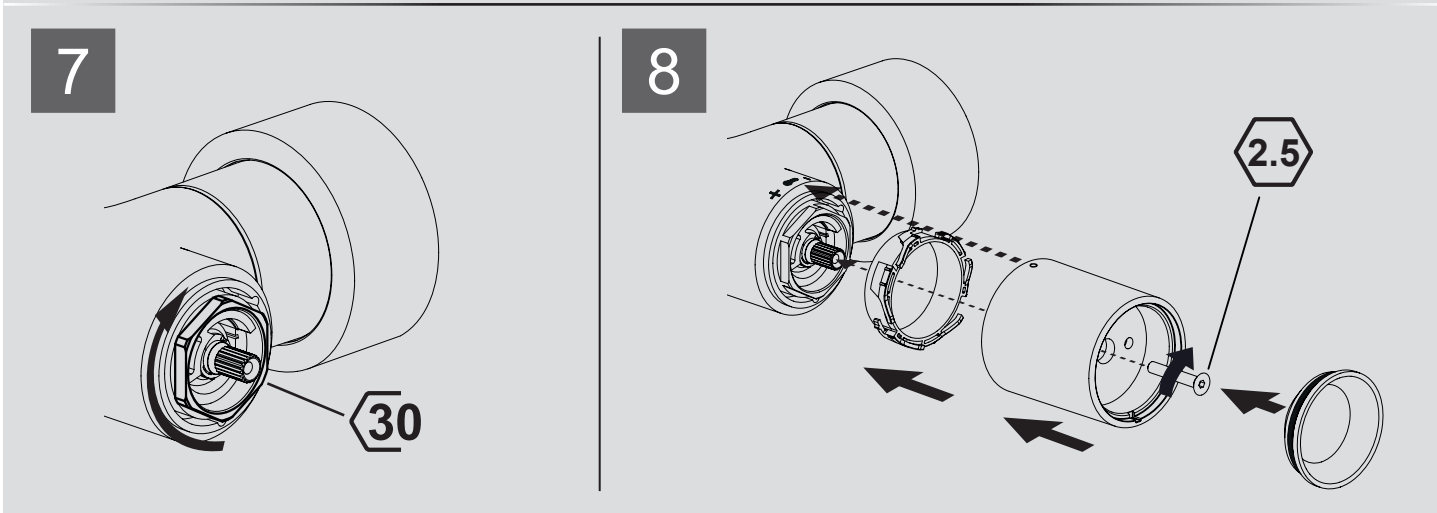
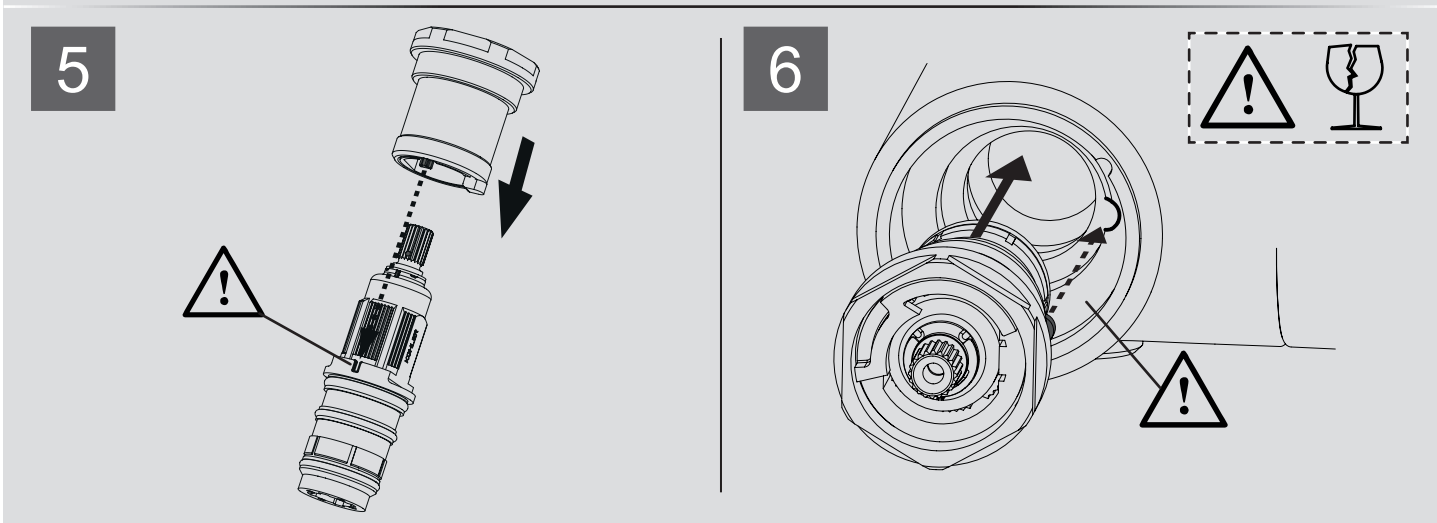
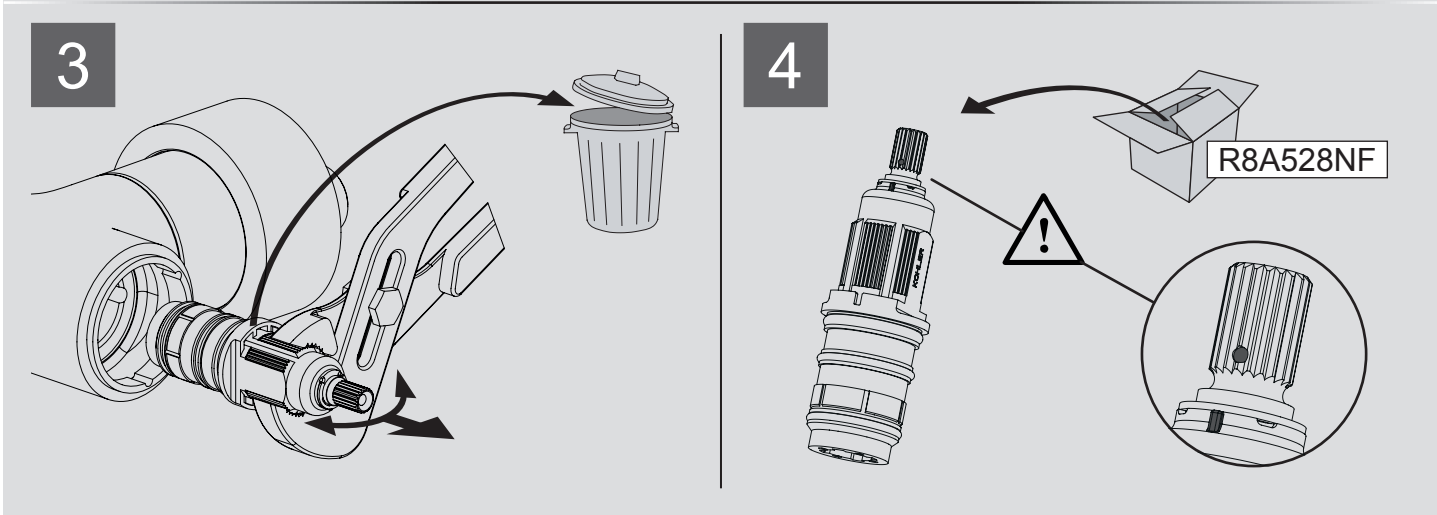
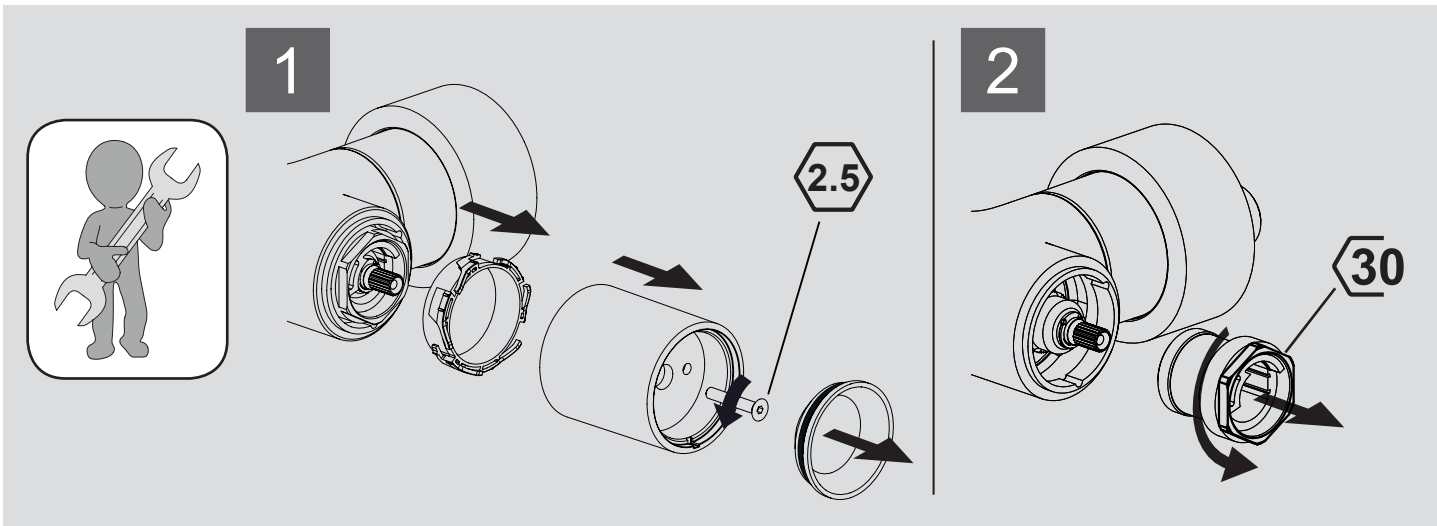
i



3









*Jacob Delafon*